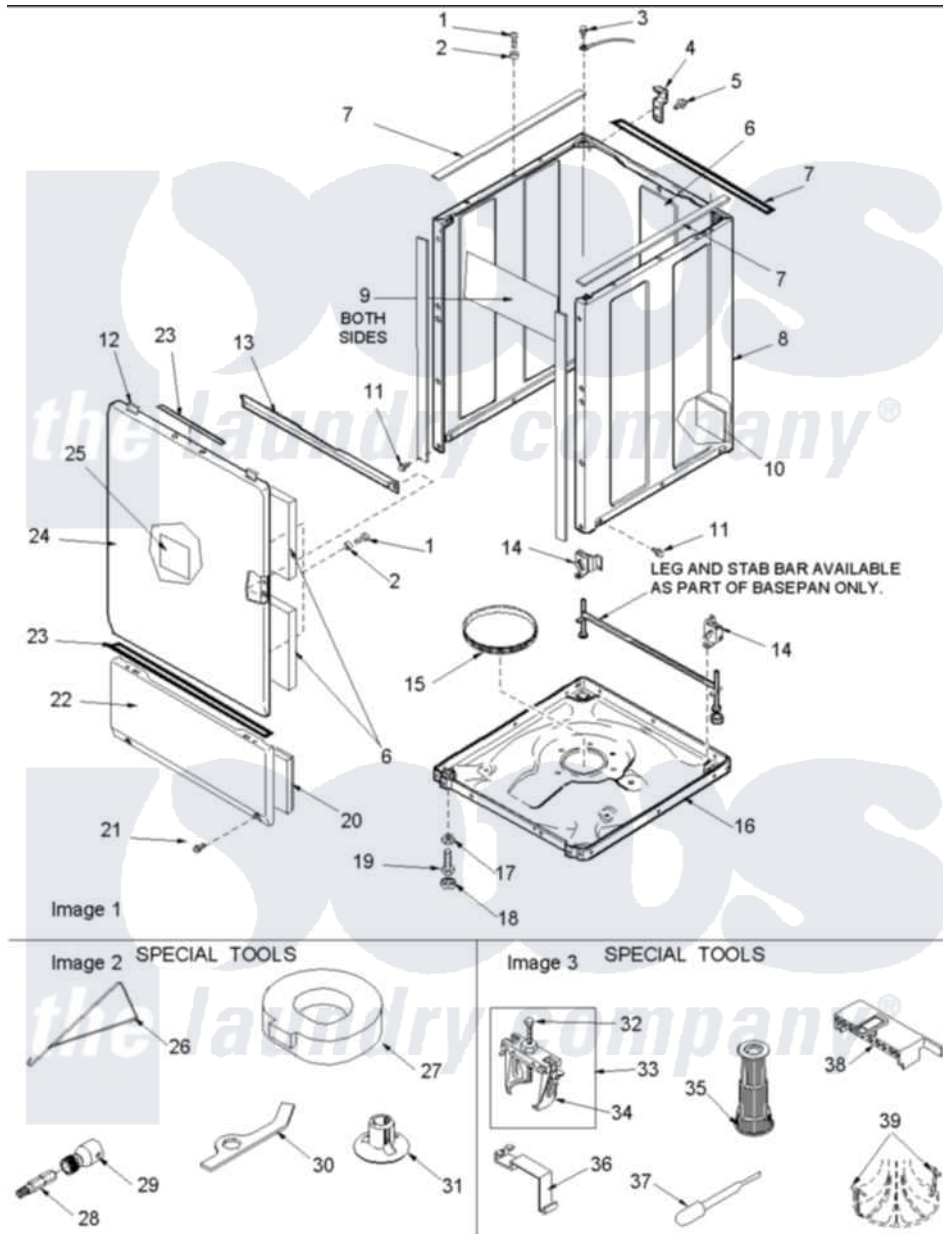


Amana ALW780QAC (BOM: PALW780QAC1) 02 - Base, Cabinet, Front and Special Tools



Amana Residential Amana ALW780QAC (BOM: PALW780QAC1) Washer Parts Parts Diagram 02 - Base, Cabinet, Front and Special Tools
 Click on the part number to view part

Item	Original Part Number	Replaced By	Status	Part Description
1	32671	Y014874		Screw, Idler Arm And Sleeve
2	505187			Locator, Panel
3	20530			Screw, 10-24 x 3/8 Hex
4	500003			Hinge, Top
5	40064801	3390631		Screw, 10-16 X 3/8
6	40091801	40106201		Foam, 8" X 23" X 1/2"
7	685366		Not Available	TAPE,FOAM
8	40076402C	40076402CP		Cabinet, Dryer And Washer
9	685368	22001817		Sheet, Sound Damper
11	40038201	27001200		Screw
12	56080	22001650		Fastener, Spring
13	56486		Not Available	BRACE, TOP
14	40031501			Bracket, Self Leveling
15	40037401			Ring, Friction
16	40031201	27001226		Base Lev

17	40038101		Nut, Leg
18	40016001		Foot, Rubber
19	40039001	22003428	Leg, Adjustable
20	40091701	40106101	Foam, 6" X 13" X 1"
21	40034101		Screw, No.12bx1/2
22	40045301C	40045301CP	Panel, Access
23	40083101		Tape, Foam
24	40035401C	40035401CP	Panel, Front
26	289P4	321P4	Hook, Spring
27	40068201	27001185	Brace- Shp
28	282P4		T25 Tamper Resistant Bit
29	24161		Torx Bit Holder
30	306P4		Hex Wrench
31	40047301	27001185	Brace- Shp
32	294P4B		Drive Bell Bolt
33	294P4		Bell Tool
34	294P5A	Not Available	DRIVE BELL ARMS
35	293P4		Seal Tool
36	273P4		Tub Cover Gasket Tool
37	283P4		Terminal Extractor Tool
38	34677		10 Circuit Plug
39	254P4P		Agitator Hooks
NI	40106001		Foam, 4" X 22" X 1/2"

