

Amana ALW780QAC (BOM: PALW780QAC1) 04 - Cabinet Top, Door, and Door Switch

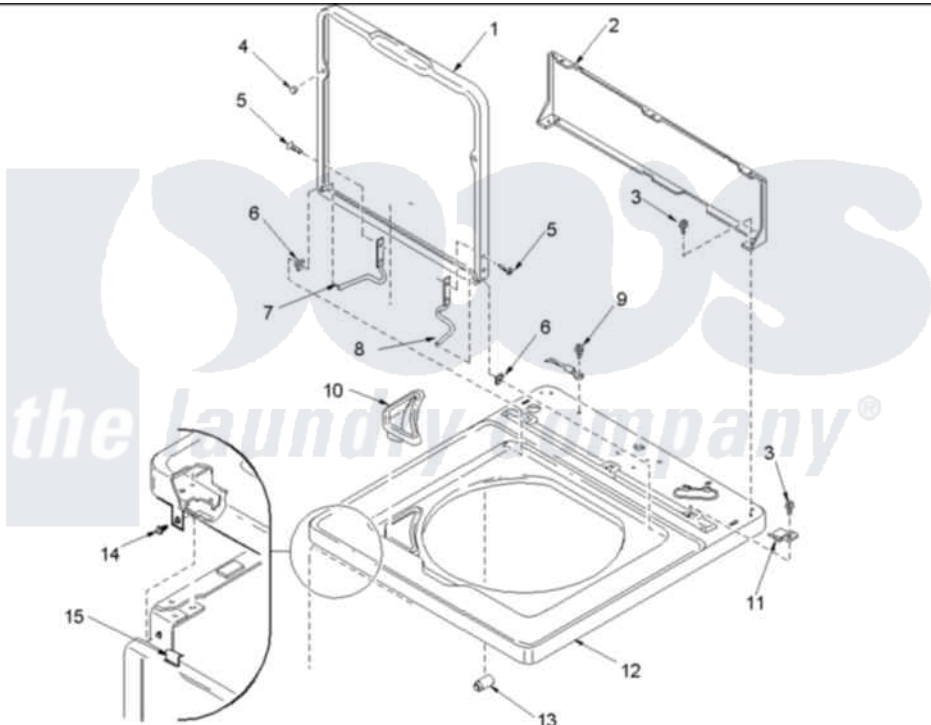
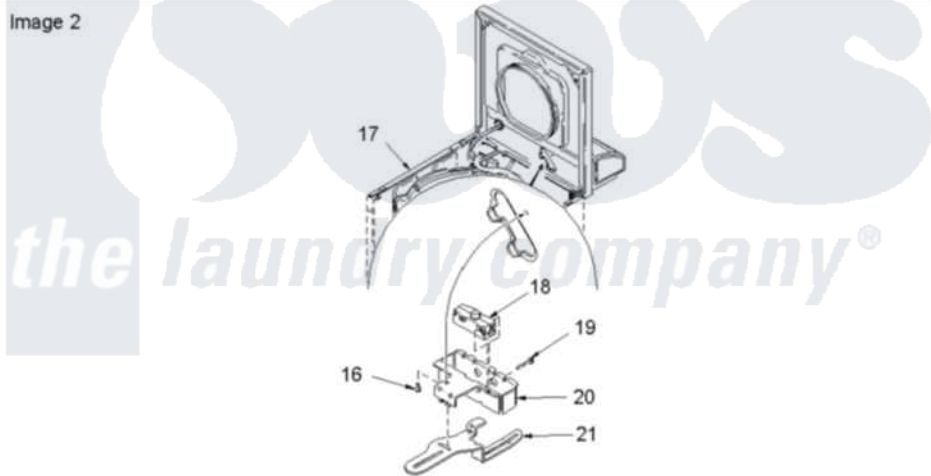


Image 1

Image 2



Amana Residential Amana ALW780QAC (BOM: PALW780QAC1) Washer Parts Parts Diagram 04 - Cabinet Top, Door, and Door Switch

[Click on the part number to view part](#)

Item	Original Part Number	Replaced By	Status	Part Description
1	40111301C		Not Available	LID,W/INSTRUCTIONS
2	40051401		Not Available	PANEL,HOME HOOD BACK
"	40121402			Panel, Back
3	501086	90767		Screw, 8A X 3/8 HeX Washer Head Tapping
4	40038001			Bumper
5	40039201	W10119828		Screw, Lid Hinge Mounting
6	40008201			Bushing, Hinge
7	40094002			Hinge, Lid Left Stop
8	40094101			Hinge, Lid Right Pass
9	20530			Screw, 10-24 x 3/8 Hex
10	40093901			Dispenser, Bleach
11	40063901			Clip, Hold Down
12	40000202C	27001183		Top
13	40102101			Cap, Hinge

14	503661	27001200	Screw
15	56080	22001650	Fastener, Spring
16	501086	90767	Screw, 8A X 3/8 HeX Washer Head Tapping
17	40076402C	40076402CP	Cabinet, Dryer And Washer
18	40035001	27001095	Switch, Lid
19	40040701		Screw, Tapping No.6b-20
20	40009801		Holder, Lid Switch
21	40009701		Arm, Lid Switch

