

Amana ALW780QMW (BOM: PALW780QMW1) 06 - Mixing Valve and Hoses

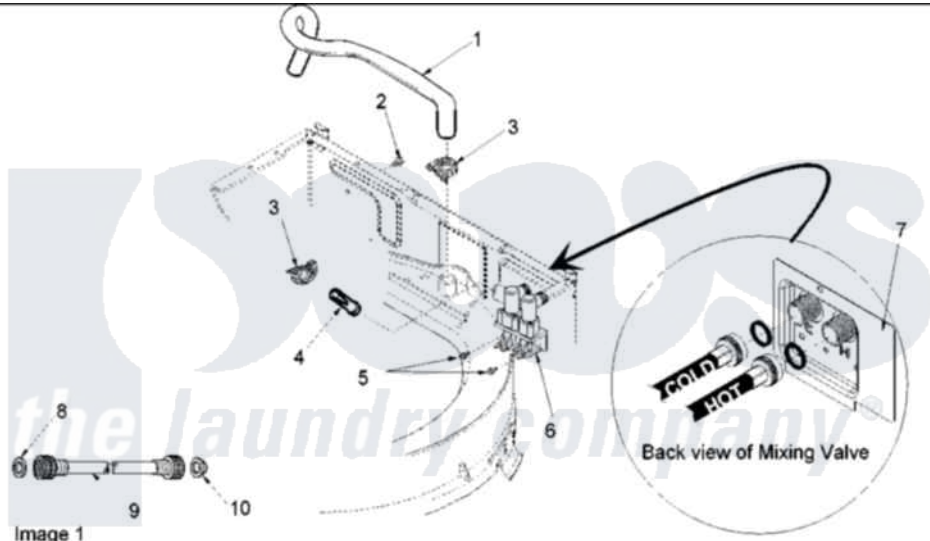


Image 1

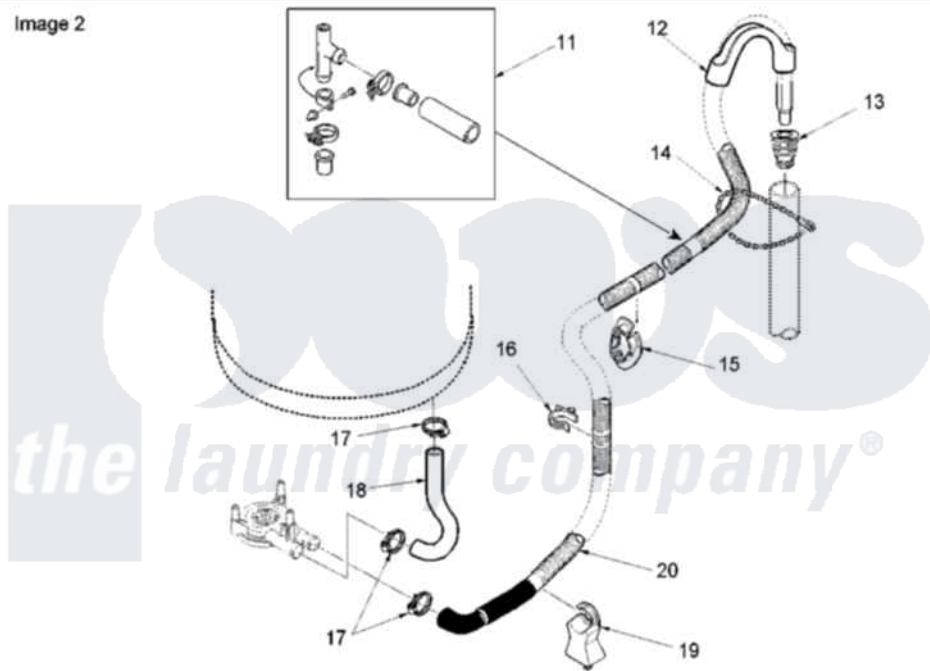


Image 2

Amana Residential Amana ALW780QMW (BOM: PALW780QMW1) Washer Parts Parts Diagram 06 - Mixing Valve and Hoses

[Click on the part number to view part](#)

| Item | Original Part Number | Replaced By | Status | Part Description |
|------|--------------------------|--------------------------|--------|---|
| 1 | 40098901 | 27001184 | | Hose, Mixing Valve To Tub |
| 2 | 503661 | 27001200 | | Screw |
| 3 | 36801 | 596669 | | Clamp, Manifold |
| 4 | 34500 | 22001900 | | Preventer, Back Flow |
| 5 | 501086 | 90767 | | Screw, 8A X 3/8 HeX Washer Head Tapping |
| 6 | 40097701 | R0131578 | | Valve-Inlet |
| 7 | 40098801 | | | Plate, Mixing Valve |
| 8 | 20290 | Y013783 | | Washer, Inlet Hose |
| 9 | 40058001 | 76313 | | Hosefill |
| " | 40058002 | 76313 | | Hosefill |
| 10 | 28605 | 22002960 | | Strainer, Washer Inlet |
| 11 | 562P3 | 76660 | | Break-Sphn |
| 12 | 33615 | 22003814 | | Retainer, Drain Hose |
| 13 | 40008101 | | | Adapter, Standpipe |

| | | | |
|----|--------------------------|-------------------------|----------------------|
| 14 | 33489 | 8539404 | Tie-Wire |
| 15 | 40058501 | | Relief, Strain Drain |
| 16 | 36014 | | Clip, Retainer-Hose |
| 17 | 36802 | 285655 | Clamp, Hose |
| 18 | 40094201 | | Hose, Tub To Pump |
| 19 | 40044901 | | Stand, Hose |
| 20 | 40053901 | | Hose, Drain |

