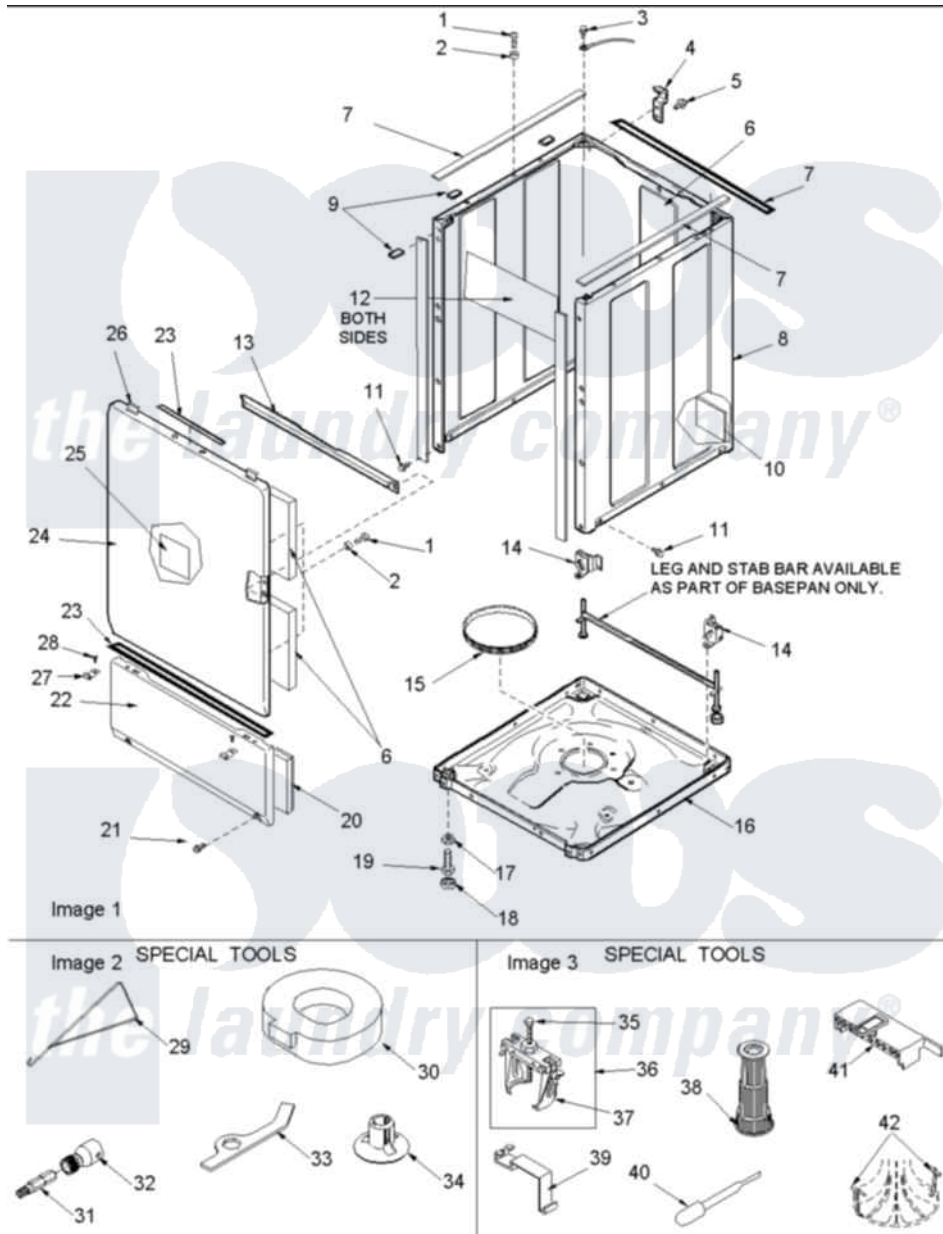


Amana ALW891SAW (BOM: PALW891SAW) 02 - BASE, CABINET, FRONT AND SPECIAL TOOLS



Amana Residential Amana ALW891SAW (BOM: PALW891SAW) Washer Parts Parts Diagram 02 - BASE, CABINET, FRONT AND SPECIAL TOOLS
 Click on the part number to view part

Item	Original Part Number	Replaced By	Status	Part Description
1	32671	Y014874		Screw, Idler Arm And Sleeve
2	505187			Locator, Panel
4	500003			Hinge, Top
5	40064801	3390631		Screw, 10-16 X 3/8
8	40076402W	37001284		Cabinet As Pack
11	40038201	27001200		Screw
12	685368	22001817		Sheet, Sound Damper
13	56486		Not Available	BRACE, TOP
14	40031501			Bracket, Self Leveling
15	40037401			Ring, Friction
16	40031201	27001226		Base Lev
17	40038101			Nut, Leg
18	40016001			Foot, Rubber
19	40039001	22003428		Leg, Adjustable
21	40034101			Screw, No.12bx1/2

22	40045301W	40045301WP	Panel, Access
24	40035401W	40035401WP	Panel, Front
25	40068901	22001817	Sheet, Sound Damper
26	56080	22001650	Fastener, Spring
27	40034202		Clip, Spring
28	501086	90767	Screw, 8A X 3/8 HeX Washer Head Tapping
29	289P4	321P4	Hook, Spring
30	40068201	27001185	Brace- Shp
31	282P4		T25 Tamper Resistant Bit
32	24161		Torx Bit Holder
33	306P4		Hex Wrench
34	40047301	27001185	Brace- Shp
35	294P4B		Drive Bell Bolt
36	294P4		Bell Tool
37	294P5A	Not Available	DRIVE BELL ARMS
38	293P4		Seal Tool
39	273P4		Tub Cover Gasket Tool
40	283P4		Terminal Extractor Tool
41	34677		10 Circuit Plug
42	254P4P		Agitator Hooks

