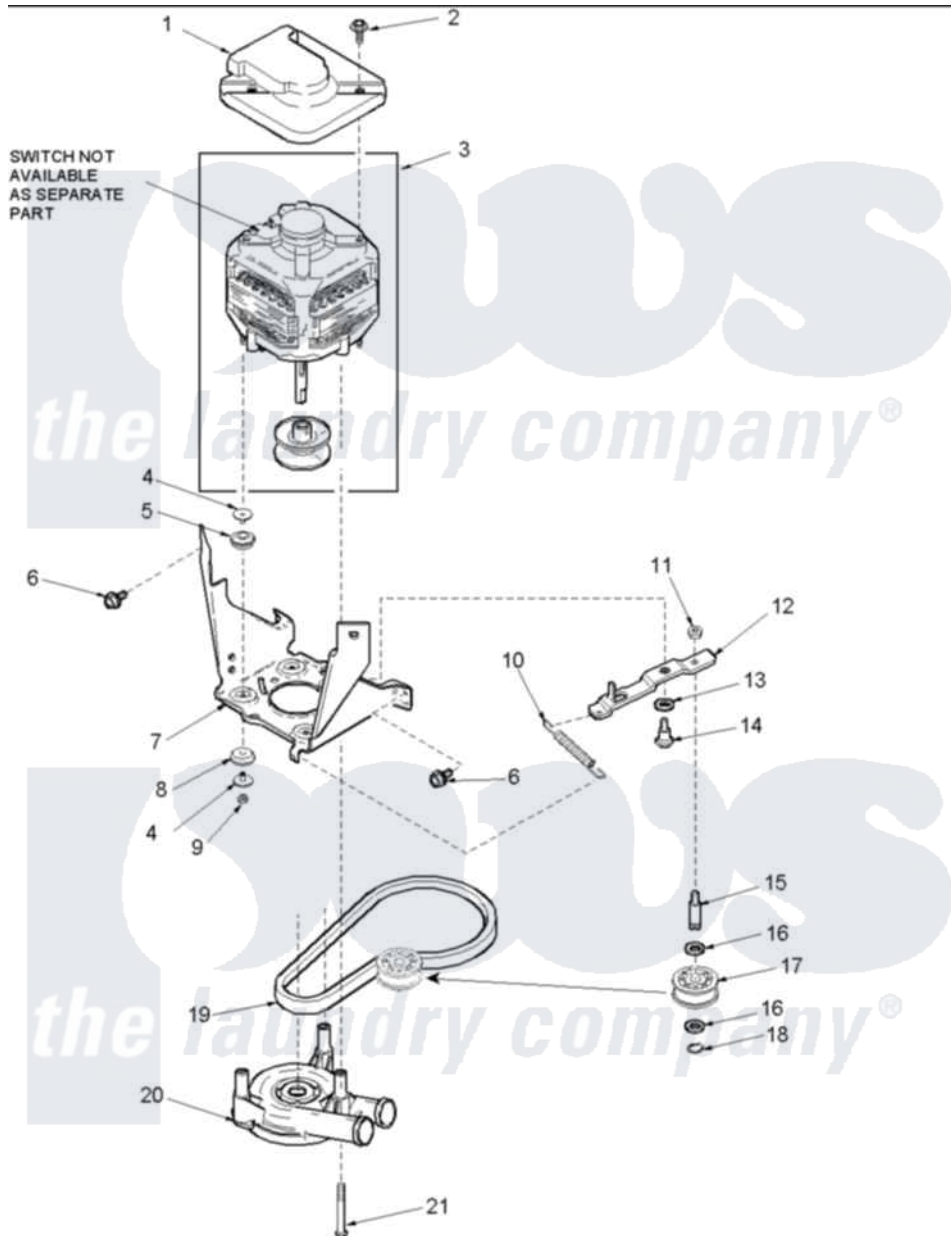


# Amana ALW891SAW (BOM: PALW891SAW) 08 - MOTOR, BELT, PUMP, AND IDLER ASSY



Amana Residential Amana ALW891SAW (BOM: PALW891SAW) Washer Parts Parts Diagram 08 - MOTOR, BELT, PUMP, AND IDLER ASSY  
 Click on the part number to view part

| Item | Original Part Number     | Replaced By              | Status        | Part Description        |
|------|--------------------------|--------------------------|---------------|-------------------------|
| 1    | <a href="#">40112301</a> |                          |               | Shield, Motor           |
| 2    | 40046701                 | <a href="#">4312464</a>  |               | Screw                   |
| 3    | 40095003                 | <a href="#">27001215</a> |               | Motor W/Pulley          |
| 4    | <a href="#">40053701</a> |                          |               | Post, Isolator          |
| 5    | <a href="#">40053801</a> |                          |               | Mount, Motor Upper      |
| 7    | 40015502                 |                          | Not Available | BRACKET, MOTOR MOUNT    |
| 8    | <a href="#">40054301</a> |                          |               | Mount, Motor Lower      |
| 9    | 40095101                 | <a href="#">Y707702</a>  |               | Locknut                 |
| 10   | <a href="#">40061401</a> |                          |               | Spring, Idler Lever     |
| 11   | <a href="#">40038801</a> |                          |               | Jamnut, 3/8-16          |
| 12   | <a href="#">40041002</a> |                          |               | Lever, Idler            |
| 13   | <a href="#">40054701</a> |                          |               | Washer                  |
| 14   | <a href="#">40038901</a> |                          |               | Screw, 1/4-20           |
| 15   | <a href="#">56461</a>    |                          |               | Shaft                   |
| 16   | <a href="#">52549</a>    |                          |               | Washer, 501 ID X3/4 Odx |

|    |                          |                          |                         |
|----|--------------------------|--------------------------|-------------------------|
| 17 | <a href="#">40045001</a> | Idler Pulley Assembly    |                         |
| 18 | <a href="#">23748</a>    | Ring, Retaining          |                         |
| 19 | 40053606                 | <a href="#">27001006</a> | Belt, Spin And Agitator |
| 20 | 40040301                 | <a href="#">27001233</a> | Pump                    |
| 21 | <a href="#">40063701</a> | Screw, 10-16 x 1.75      |                         |

