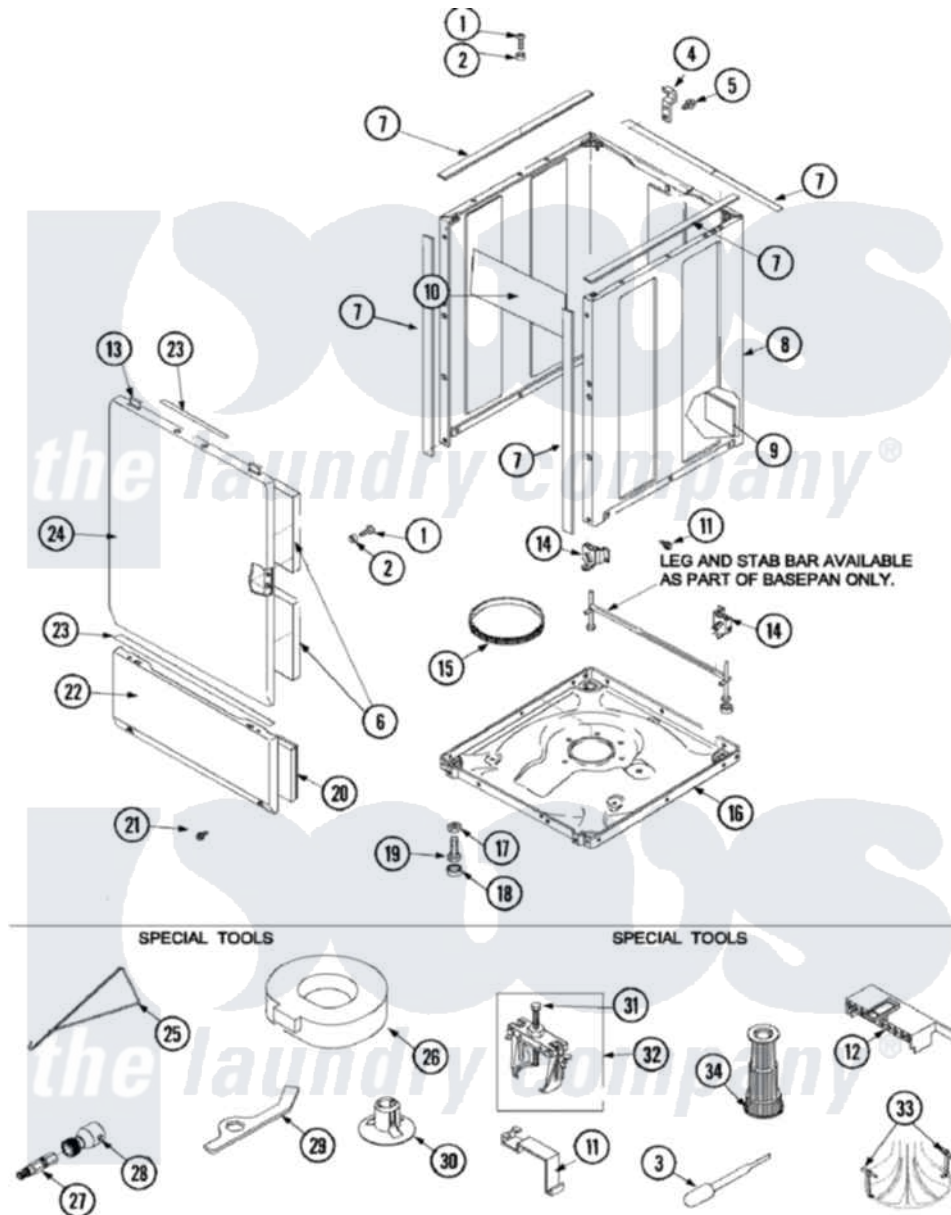


# Amana ALW895SAC 01 - BASE, CABINET AND SPECIAL TOOLS



Amana Residential Amana ALW895SAC Washer Parts Parts Diagram 01 - BASE, CABINET AND SPECIAL TOOLS  
 Click on the part number to view part

Item	Original Part Number	Replaced By	Status	Part Description
1	32671	<a href="#">Y014874</a>		Screw, Idler Arm And Sleeve
2	<a href="#">505187</a>			Locator, Panel
3	<a href="#">283P4</a>			Terminal Extractor Tool
4	<a href="#">500003</a>			Hinge, Top
5	40064801	<a href="#">3390631</a>		Screw, 10-16 X 3/8
8	<a href="#">40076402CP</a>			Cabinet, Dryer And Washer
11	<a href="#">273P4</a>			Tub Cover Gasket Tool
12	<a href="#">34677</a>			10 Circuit Plug
13	56080	<a href="#">22001650</a>		Fastener, Spring
14	<a href="#">40031501</a>			Bracket, Self Leveling
15	<a href="#">40037401</a>			Ring, Friction
16	40031201	<a href="#">27001226</a>		Base Lev
17	<a href="#">40038101</a>			Nut, Leg
18	<a href="#">40016001</a>			Foot, Rubber
19	40039001	<a href="#">22003428</a>		Leg, Adjustable
21	<a href="#">40034101</a>			Screw, No.12bx1/2

22	<a href="#">40045301CP</a>		Panel, Access
24	<a href="#">40035401CP</a>		Panel, Front
25	289P4	<a href="#">321P4</a>	Hook, Spring
26	40068201	<a href="#">27001185</a>	Brace- Shp
27	<a href="#">282P4</a>		T25 Tamper Resistant Bit
28	<a href="#">24161</a>		Torx Bit Holder
29	<a href="#">306P4</a>		Hex Wrench
30	40047301	<a href="#">27001185</a>	Brace- Shp
31	<a href="#">294P4B</a>		Drive Bell Bolt
32	<a href="#">294P4</a>		Bell Tool
33	<a href="#">254P4P</a>		Agitator Hooks
34	<a href="#">293P4</a>		Seal Tool

**Howes**  
*the laundry company*<sup>®</sup>

**Howes**  
*the laundry company*<sup>®</sup>

**Howes**  
*the laundry company*<sup>®</sup>