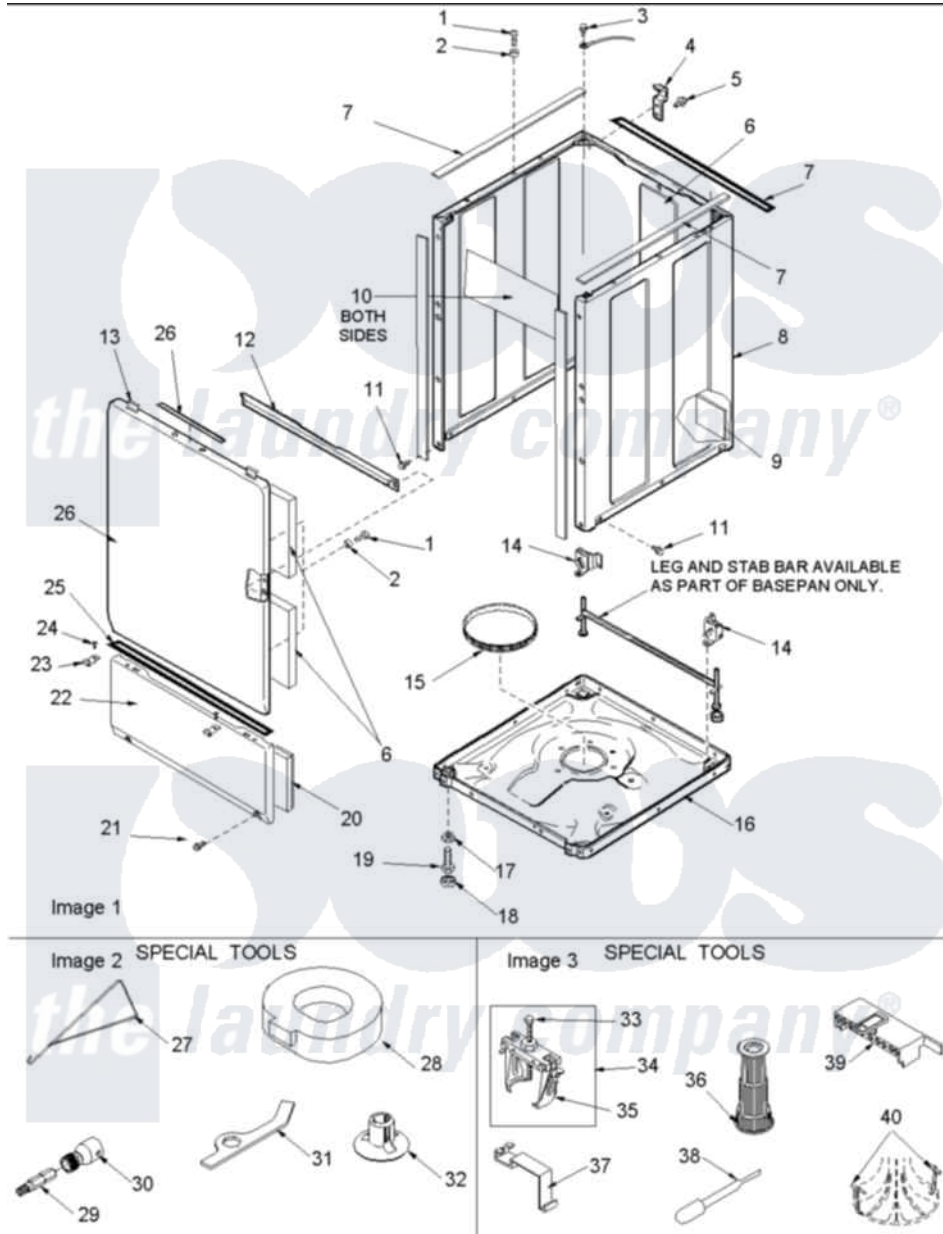


Amana ALW990EAW (BOM: PALW990EAW) 02 - Base, Cabinet, Front and Special Tools



Amana Residential Amana ALW990EAW (BOM: PALW990EAW) Washer Parts Parts Diagram 02 - Base, Cabinet, Front and Special Tools

Click on the part number to view part

Item	Original Part Number	Replaced By	Status	Part Description
1	32671	Y014874		Screw, Idler Arm And Sleeve
2	505187			Locator, Panel
3	20530			Screw, 10-24 x 3/8 Hex
4	500003			Hinge, Top
5	40064801	3390631		Screw, 10-16 X 3/8
6	40106101			Foam, 6" X 13" X 1"
"	40106401			Foil, 6" X 20" X 5p5
"	40091801	40106201		Foam, 8" X 23" X 1/2"
7	685366		Not Available	TAPE,FOAM
8	40076401WP	37001284		Cabinet As Pack
"	40076402C	40076402CP		Cabinet, Dryer And Washer
"	40076402W	37001284		Cabinet As Pack
9	40091802	40106301		Foam, 5" X 5" X 1/2"
"	40106301			Foam, 5" X 5" X 1/2"
10	685368	22001817		Sheet, Sound Damper

11	40038201	27001200	Screw
12	56486	Not Available	BRACE, TOP
13	56080	22001650	Fastener, Spring
14	40031501		Bracket, Self Leveling
15	40037401		Ring, Friction
16	40031201	27001226	Base Lev
17	40038101		Nut, Leg
18	40016001		Foot, Rubber
19	40039001	22003428	Leg, Adjustable
20	40091701	40106101	Foam, 6" X 13" X 1"
"	40106201		Foam, 8" X 23" X 1/2"
21	40034101		Screw, No.12bx1/2
22	40045301WP		Panel, Access
23	40034202		Clip, Spring
24	501086	90767	Screw, 8A X 3/8 HeX Washer Head Tapping
25	40083101		Tape, Foam
26	40035401WP		Panel, Front
27	289P4	321P4	Hook, Spring
28	40068201	27001185	Brace- Shp
29	282P4		T25 Tamper Resistant Bit
30	24161		Torx Bit Holder
31	306P4		Hex Wrench
32	40047301	27001185	Brace- Shp
33	294P4B		Drive Bell Bolt
34	294P4		Bell Tool
35	294P5A	Not Available	DRIVE BELL ARMS
36	293P4		Seal Tool
37	273P4		Tub Cover Gasket Tool
38	283P4		Terminal Extractor Tool
39	34677		10 Circuit Plug
40	254P4P		Agitator Hooks
NI	40106001		Foam, 4" X 22" X 1/2"

