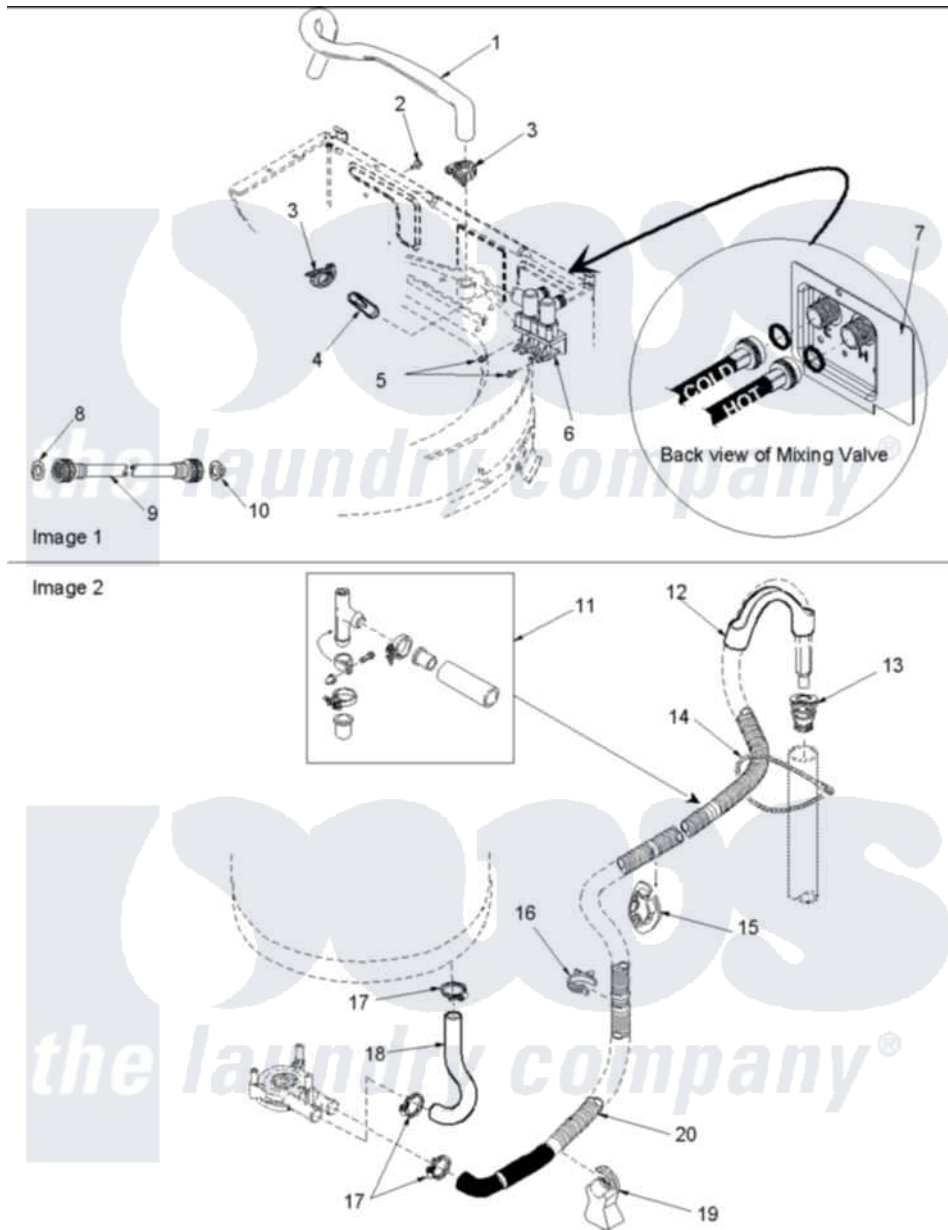


Amana ALW990EAW (BOM: PALW990EAW) 06 - Mixing Valve and Hoses



Amana Residential Amana ALW990EAW (BOM: PALW990EAW) Washer Parts Parts Diagram 06 - Mixing Valve and Hoses

[Click on the part number to view part](#)

| Item | Original Part Number | Replaced By | Status | Part Description |
|------|--------------------------|--------------------------|---------------|---|
| 1 | 40038401 | | | Hose |
| 2 | 503661 | 27001200 | | Screw |
| 3 | 36801 | 596669 | | Clamp, Manifold |
| 4 | 34500 | 22001900 | | Preventer, Back Flow |
| 5 | 501086 | 90767 | | Screw, 8A X 3/8 HeX Washer Head Tapping |
| 6 | 40093401 | | | Valve, Mix N51 W/ Thermistor |
| 7 | 40061701 | | Not Available | PLATE, MIXING VALVE |
| 8 | 20290 | Y013783 | | Washer, Inlet Hose |
| 9 | 40058001 | 76313 | | Hosefill |
| " | 40058002 | 76313 | | Hosefill |
| 10 | 28605 | 22002960 | | Strainer, Washer Inlet |
| 11 | 562P3 | 76660 | | Break-Sphn |
| 12 | 33615 | 22003814 | | Retainer, Drain Hose |
| 13 | 40008101 | | | Adapter, Standpipe |
| 14 | 33489 | 8539404 | | Tie-Wire |

| | | |
|----|--------------------------|---------------------------------------|
| 15 | 40058501 | Relief, Strain Drain |
| 16 | 36014 | Clip, Retainer-Hose |
| 17 | 36802 | 285655 Clamp, Hose |
| 18 | 40094201 | Hose, Tub To Pump |
| 19 | 40044901 | Stand, Hose |
| 20 | 40053901 | Hose, Drain |

