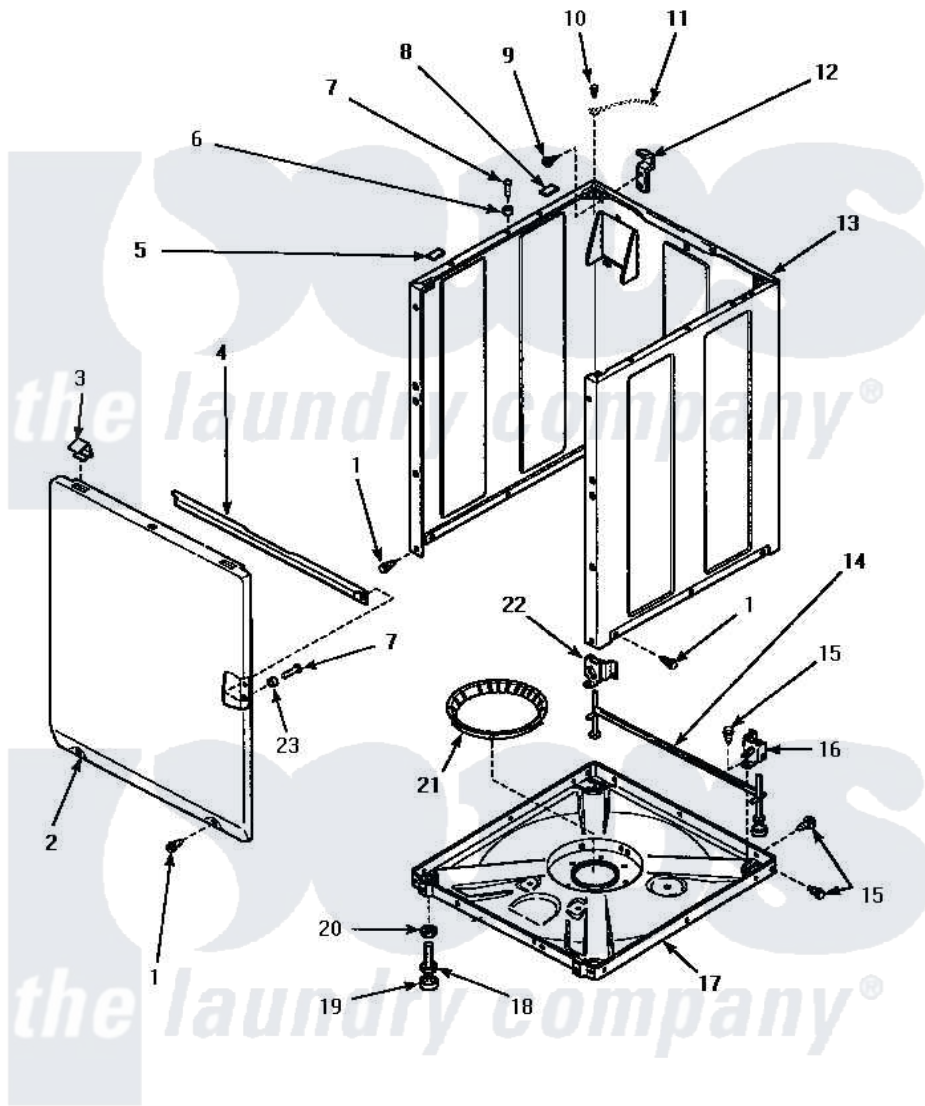


# Amana AWM190W2 07 - FRONT PANEL, BASE ASSY & CABINET ASSY



## FRONT PANEL, BASE ASSEMBLY AND CABINET ASSEMBLY

Amana [Residential Amana AWM190W2 Washer Parts](#) Parts Diagram 07 - FRONT PANEL, BASE ASSY & CABINET ASSY

Click on the part number to view part

| Item | Original Part Number    | Replaced By               | Status        | Part Description              |
|------|-------------------------|---------------------------|---------------|-------------------------------|
| 1    | 27196                   | <a href="#">27001200</a>  |               | Screw                         |
| 2    | <a href="#">34656WP</a> |                           |               | Assembly, Front Panel         |
| 3    | <a href="#">35865</a>   |                           |               | Clip, Hold-Down Front Panel   |
| 4    | Y35097                  |                           | Not Available | BRACE, FRT PNL                |
| 5    | <a href="#">Y56128</a>  |                           |               | Pad, Bumper                   |
| 6    | 56079                   | <a href="#">505187</a>    |               | Locator, Panel                |
| 7    | 32671                   | <a href="#">Y014874</a>   |               | Screw, Idler Arm And Sleeve   |
| 8    | <a href="#">36226</a>   |                           |               | Pad, Bumper .25               |
| 9    | 34499                   |                           | Not Available | SCREW, No.10B X 1/4 TAP IN HX |
| 10   | 23962                   | <a href="#">W10116760</a> |               | Screw                         |
| 11   | Y00000000               |                           | Not Available | SEE NOTE GROUND WIRE          |
| 12   | <a href="#">Y27103</a>  |                           |               | Hinge, Hold-Down Lug          |
| 13   | 34475WP                 | <a href="#">38612WP</a>   |               | Kit-Servic                    |
| 14   | <a href="#">34443</a>   |                           |               | Assembly, Leg And Stabilier   |
| 15   | 35148                   |                           | Not Available | SCREW, 1/4-14 X 3/8 HX HD     |

|    |                        |                          |                        |
|----|------------------------|--------------------------|------------------------|
| 16 | 36036                  | Not Available            | BRACKET, SLL-RIGHT     |
| 17 | <a href="#">36599P</a> |                          | Assembly Nut/ Leg Base |
| "  | <a href="#">34434P</a> |                          | Assembly Nut/Leg Base  |
| 18 | Y34319                 | <a href="#">22003428</a> | Leg, Adjustable        |
| 19 | 34318                  | <a href="#">40016001</a> | Foot, Rubber           |
| 20 | Y21899                 | <a href="#">40038101</a> | Nut, Leg               |
| 21 | 36108                  | Not Available            | SNUBBER PAD & ISOLATOR |
| 22 | <a href="#">36037</a>  |                          | Bracket, SII-Left      |
| 23 | <a href="#">28102</a>  |                          | Locator, Panel         |

