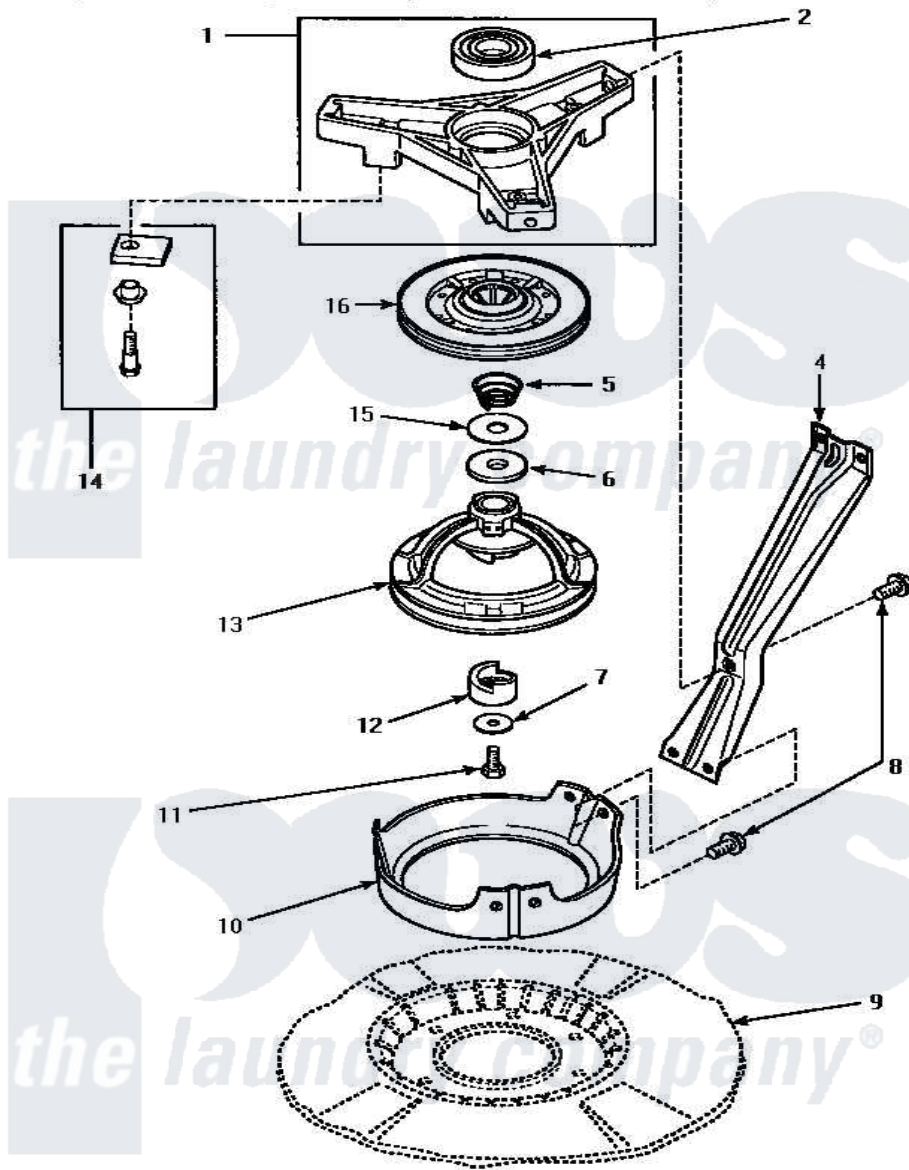


Amana AWM290L 03 - BRG HSG/BRAKE/PULLEY & PIVOT DOME



BEARING HOUSING, BRAKE, PULLEY AND PIVOT DOME

Amana Residential Amana AWM290L Washer Parts Parts Diagram 03 - BRG HSG/BRAKE/PULLEY & PIVOT DOME

Click on the part number to view part

Item	Original Part Number	Replaced By	Status	Part Description
1	35746			Assembly, Bearing Housing-L
2	28944R	40004001		Bearing, Main
4	34792			Leg, Support
5	33435			Spring, Conical
6	27015	40063201		Washer, Flat
7	26509	40041501		Washer
8	35369	40128701		Screw, 5/16-18 X .50
9	Y00000000		Not Available	SEE NOTE BASE ASSEMBLY
10	34470			Dome, Pivot
11	27220	40063401		Screw, 1/4-20 x 5/8 Hex
12	27018			Helix
13	34923			Assembly, Pulley-Spin And Agitate
14	548P3	R9900543		Pad-Brake
15	35535	40065701		Washer, 2 Odx.63 ID
16	31961P	R9900474		Brake Assembly

