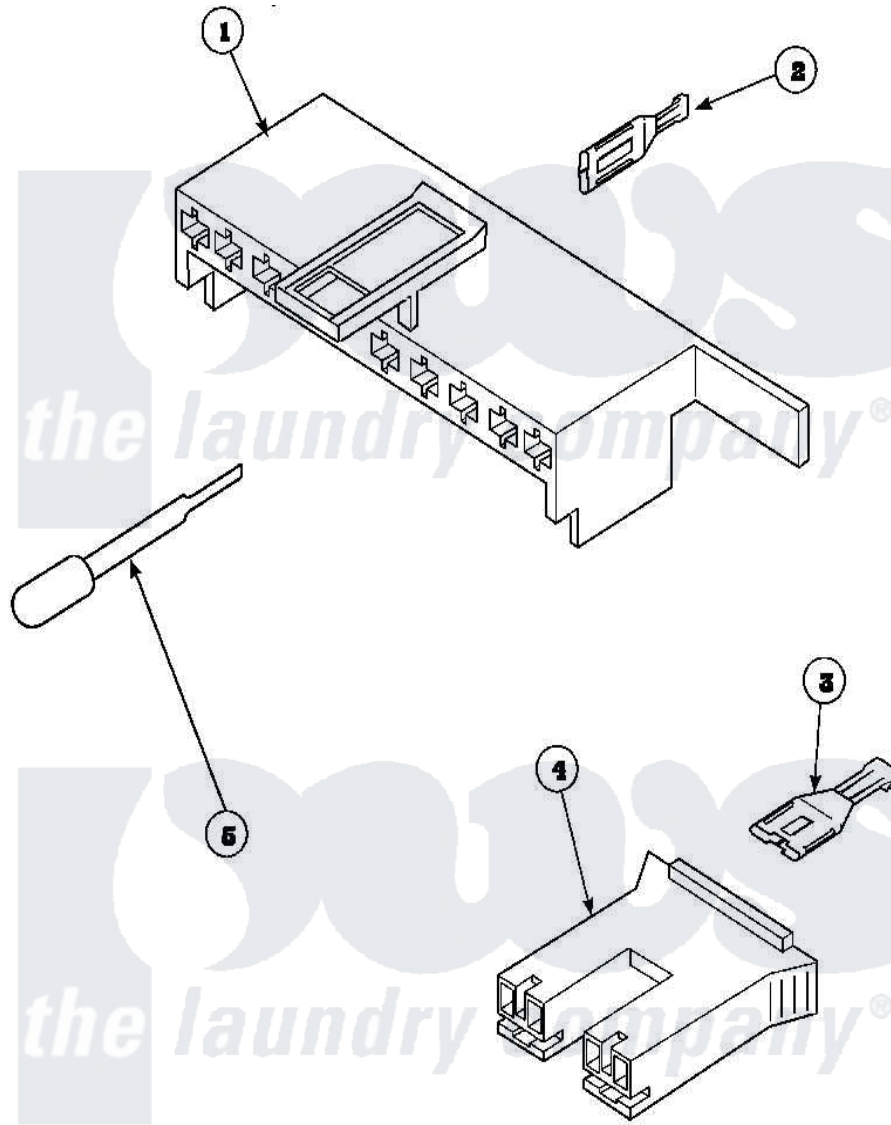


**Amana AWM290W2 (BOM: PAWM290W2) 14 - MIXING VLV,MTR CONN BLOCKS,EXTRACTOR**



**W1246284**

Amana Residential Amana AWM290W2 (BOM: PAWM290W2) Washer Parts Parts Diagram 14 - MIXING VLV,MTR CONN BLOCKS,EXTRACTOR  
 Click on the part number to view part

Item	Original Part Number	Replaced By	Status	Part Description
1	<a href="#">34677</a>			10 Circuit Plug
2	<a href="#">Y00188</a>			Molex Terminal
3	Y00121		Not Available	SPADE TERMINAL(12 GAUGE) (1/4 INCH-(2) 18 GAUGE WIRES O
4	<a href="#">34676</a>			Plug
"	34675		Not Available	PLUG
5	<a href="#">283P4</a>			Terminal Extractor Tool
NI	34971		Not Available	ASSY,WIRING HARNESS-HOOD