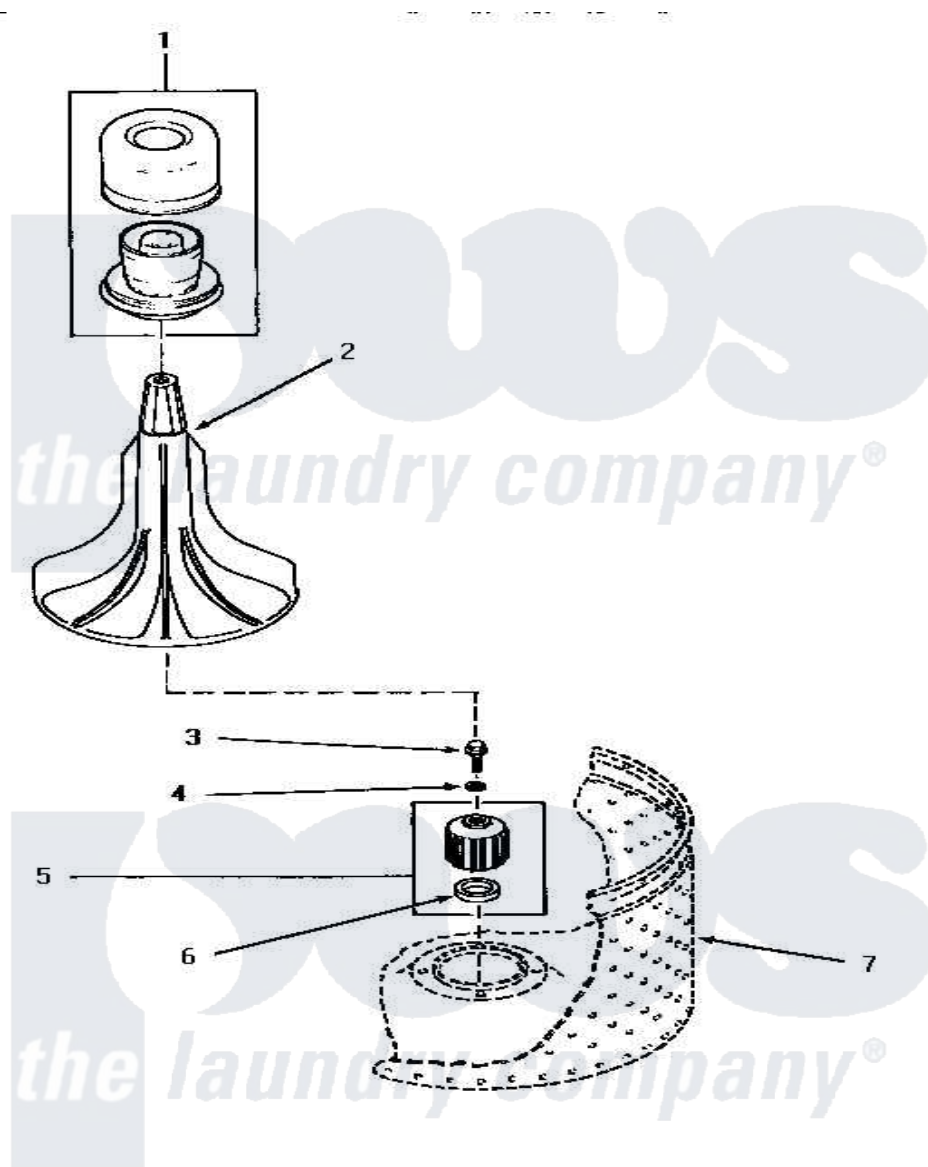


Amana AWM352 02 - AGITATOR, DRIVE BELL & SEAL SEAT



AGITATOR, DRIVE BELL AND SEAL SEAT

Amana [Residential Amana AWM352 Washer Parts](#) Parts Diagram 02 - AGITATOR, DRIVE BELL & SEAL SEAT
 Click on the part number to view part

| Item | Original Part Number | Replaced By | Status | Part Description |
|------|-----------------------|---------------------------|---------------|---|
| 1 | 30857 | 33510 | | Assembly, Dispenser-Fabric |
| 2 | 33514 | 40000501W | | Agitator, Flex Vane |
| 3 | 30852 | | | Screw, No.8-1/4 X 20 X 3/ |
| 4 | 30853 | | Not Available | SEAL |
| 5 | 30071P | R9900189 | | Kit, Drive Bell And Seal |
| 6 | Y00000000 | | Not Available | SEE NOTE SEAL SEAT -- (SEE PAGES 8 & 10) |
| 7 | Y00000000 | | Not Available | SEE NOTE WASHTUB |
| NI | 442P3 | R9900189 | | Kit, Drive Bell And Seal |