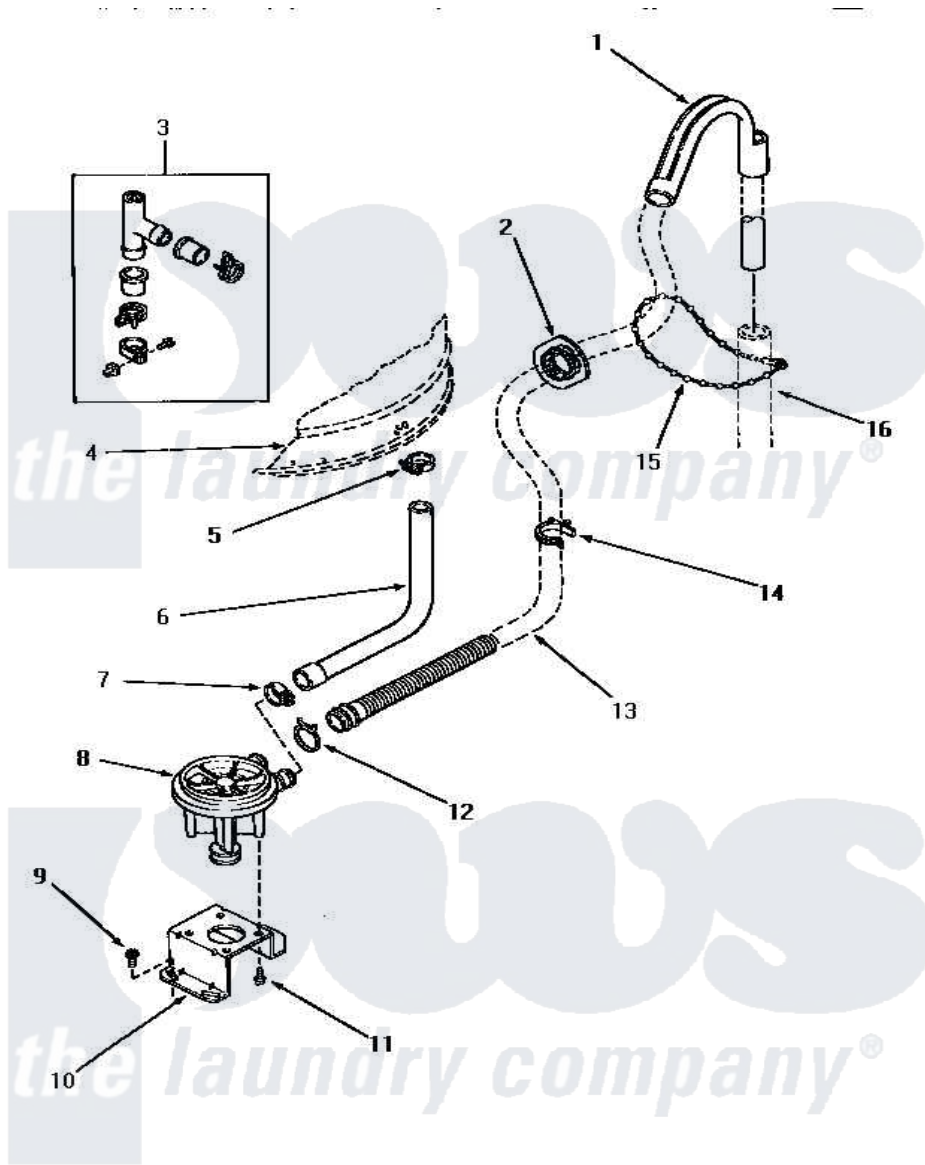


# Amana AWM352 17 - PUMP ASSY/BRKT/HOSES & SIPHON BREAK KIT



## PUMP ASSEMBLY, BRACKET, HOSES AND SIPHON BREAK KIT

Amana [Residential Amana AWM352 Washer Parts](#) Parts Diagram 17 - PUMP ASSY/BRKT/HOSES & SIPHON BREAK KIT

[Click on the part number to view part](#)

Item	Original Part Number	Replaced By	Status	Part Description
1	33615	<a href="#">22003814</a>		Retainer, Drain Hose
2	<a href="#">32219</a>			Relief, Strain
3	386P3	<a href="#">76660</a>		Break-Sphn
4	Y00000000		Not Available	SEE NOTE OUTER TUB
5	32616		Not Available	(CLAMP HOSE)
6	27160		Not Available	HOSE,TUB TO PUMP-DRAIN
7	27153	<a href="#">285655</a>		Clamp, Hose
8	<a href="#">31969</a>			Assembly, Pump NA
9	Y31645	<a href="#">27001200</a>		Screw
10	<a href="#">27105</a>			Bracket, Pump Mounting
11	<a href="#">31098</a>			Screw, 10-10 5/8 Unslot
12	33748	<a href="#">285655</a>		Clamp, Hose
13	33613	<a href="#">39953</a>		Hose- Drai
14	34321		Not Available	CLAMP,HOSE-PLASTIC
15	33489	<a href="#">8539404</a>		Tie-Wire
16	Y00000000		Not Available	SEE NOTE STANDPIPE

