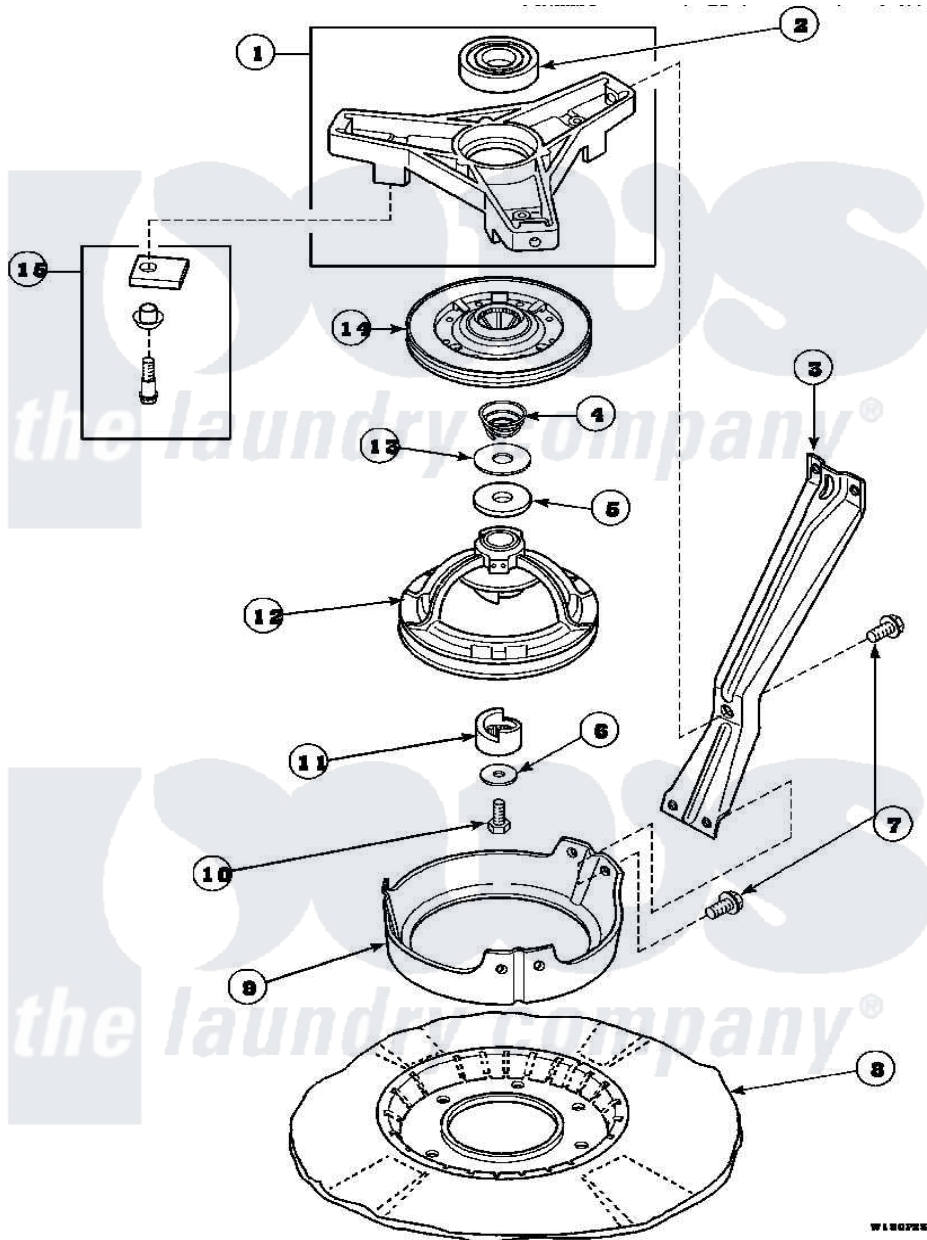


Amana AWM371W2 (BOM: PAWM371W2) 04 - BRG HSG/BRAKE/PULLEY & PIVOT DOME



Amana Residential Amana AWM371W2 (BOM: PAWM371W2) Washer Parts Parts Diagram 04 - BRG HSG/BRAKE/PULLEY & PIVOT DOME
 Click on the part number to view part

Item	Original Part Number	Replaced By	Status	Part Description
1	35746			Assembly, Bearing Housing-L
2	28944R	40004001		Bearing, Main
3	34792			Leg, Support
4	33435			Spring, Conical
5	27015	40063201		Washer, Flat
6	26509	40041501		Washer
7	35369	40128701		Screw, 5/16-18 X .50
8	36599P			Assembly Nut/ Leg Base
"	34434P			Assembly Nut/Leg Base
9	34470			Dome, Pivot
10	27220	40063401		Screw, 1/4-20 x 5/8 Hex
11	27018			Helix
12	34923			Assembly, Pulley-Spin And Agitate
13	35535	40065701		Washer, 2 Odx.63 ID

14 31961P

[R9900474](#)

Brake Assembly

15 548P3

[R9900543](#)

Pad-Brake

NI [26594P](#)

Grease, Silicone - 2 Oz Tube

