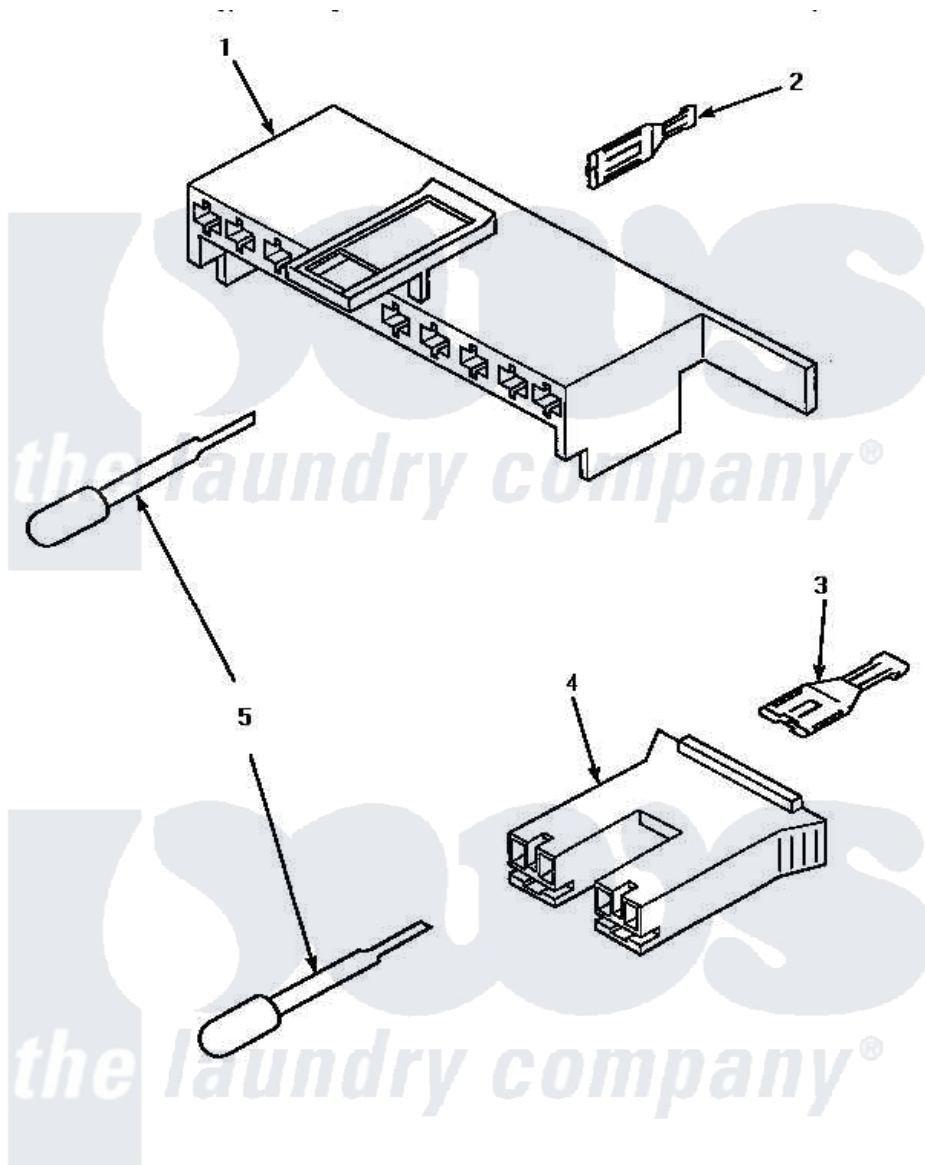


# Amana AWM372W 11 - MIXING VALVE, MOTOR CONN BLOCKS & TERM



## MIXING VALVE AND MOTOR CONNECTION BLOCKS, TERMINALS AND TERMINAL EXTRACTOR TOOL

Amana [Residential Amana AWM372W Washer Parts](#) Parts Diagram 11 - MIXING VALVE, MOTOR CONN BLOCKS & TERM

[Click on the part number to view part](#)

| Item | Original Part Number   | Replaced By | Status        | Part Description  |
|------|------------------------|-------------|---------------|---|
| 1    | <a href="#">34677</a>  |             |               | 10 Circuit Plug   |
| 2    | <a href="#">Y00188</a> |             |               | Molex Terminal  |
| 3    | Y00121                 |             | Not Available | SPADE TERMINAL(12 GAUGE) (1/4 INCH-(2) 18 GAUGE WIRES O |
| 4    | <a href="#">34676</a>  |             |               | Plug  |
| "    | 34675                  |             | Not Available | PLUG  |
| 5    | <a href="#">283P4</a>  |             |               | Terminal Extractor Tool                                 |