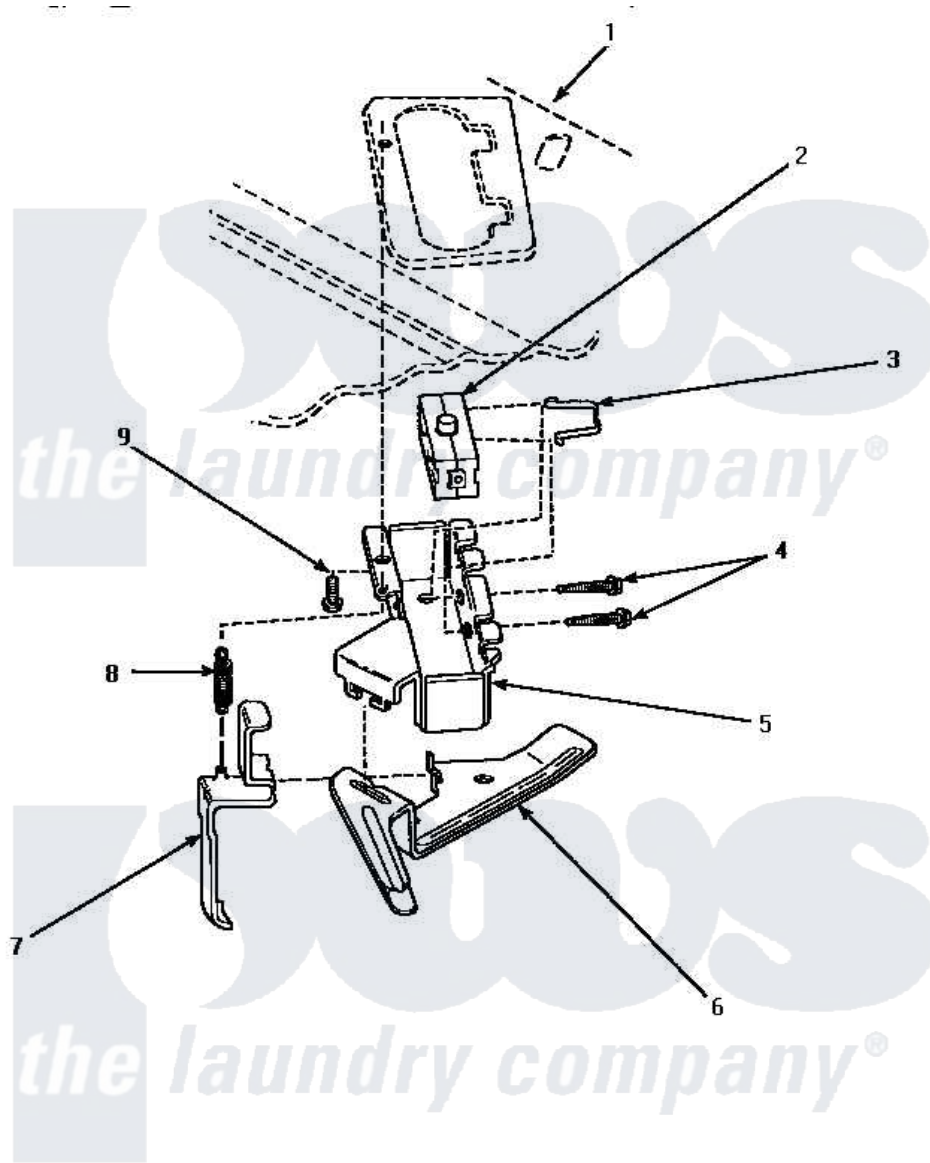


# Amana AWM372W 14 - OUT-OF-BALANCE SWITCH



## OUT-OF-BALANCE SWITCH

Amana [Residential Amana AWM372W Washer Parts](#) Parts Diagram 14 - OUT-OF-BALANCE SWITCH  
 Click on the part number to view part

Item	Original Part Number	Replaced By	Status	Part Description
1	Y00000000		Not Available	SEE NOTE CABINET TOP
2	33445	<a href="#">27001095</a>		Switch, Lid
3	33433		Not Available	CLIP,HOLDER-SWITCH
4	<a href="#">36510</a>			Screw
5	34679P		Not Available	SWITCH HOLDER
6	<a href="#">33441</a>			Arm, Actuator
7	<a href="#">33442</a>			Lever, Unbalanced Load
8	<a href="#">33443</a>			Spring
9	23962	<a href="#">W10116760</a>		Screw