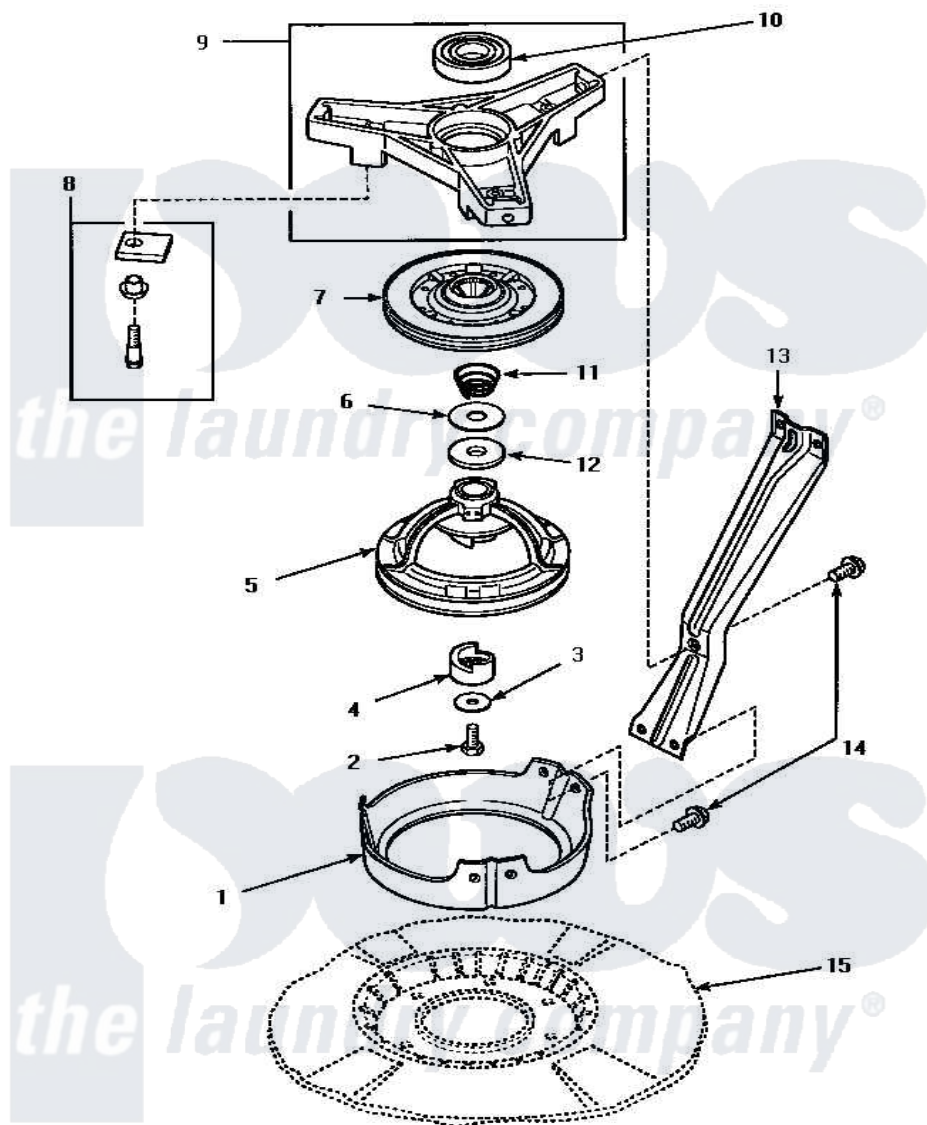


Amana AWM373W2 05 - BRG HSG/BRAKE/PULLEY & PIVOT DOME



BEARING HOUSING, BRAKE, PULLEY AND PIVOT DOME

Amana Residential Amana AWM373W2 Washer Parts Parts Diagram 05 - BRG HSG/BRAKE/PULLEY & PIVOT DOME
 Click on the part number to view part

| Item | Original Part Number | Replaced By | Status | Part Description |
|------|-----------------------|--------------------------|--------|-----------------------------------|
| 1 | 34470 | | | Dome, Pivot |
| 2 | 27220 | 40063401 | | Screw, 1/4-20 x 5/8 Hex |
| 3 | 26509 | 40041501 | | Washer |
| 4 | 27018 | | | Helix |
| 5 | 34923 | | | Assembly, Pulley-Spin And Agitate |
| " | 34921 | | | Assembly, Pulley-Spin And Agitate |
| 6 | 35535 | 40065701 | | Washer, 2 Odx.63 ID |
| 7 | 31961P | R9900474 | | Brake Assembly |
| 8 | 548P3 | R9900543 | | Pad-Brake |
| 9 | 35746 | | | Assembly, Bearing Housing-L |
| 10 | 28944R | 40004001 | | Bearing, Main |
| 11 | 33435 | | | Spring, Conical |
| 12 | 27015 | 40063201 | | Washer, Flat |
| 13 | 34792 | | | Leg, Support |
| 14 | 35369 | 40128701 | | Screw, 5/16-18 X .50 |

