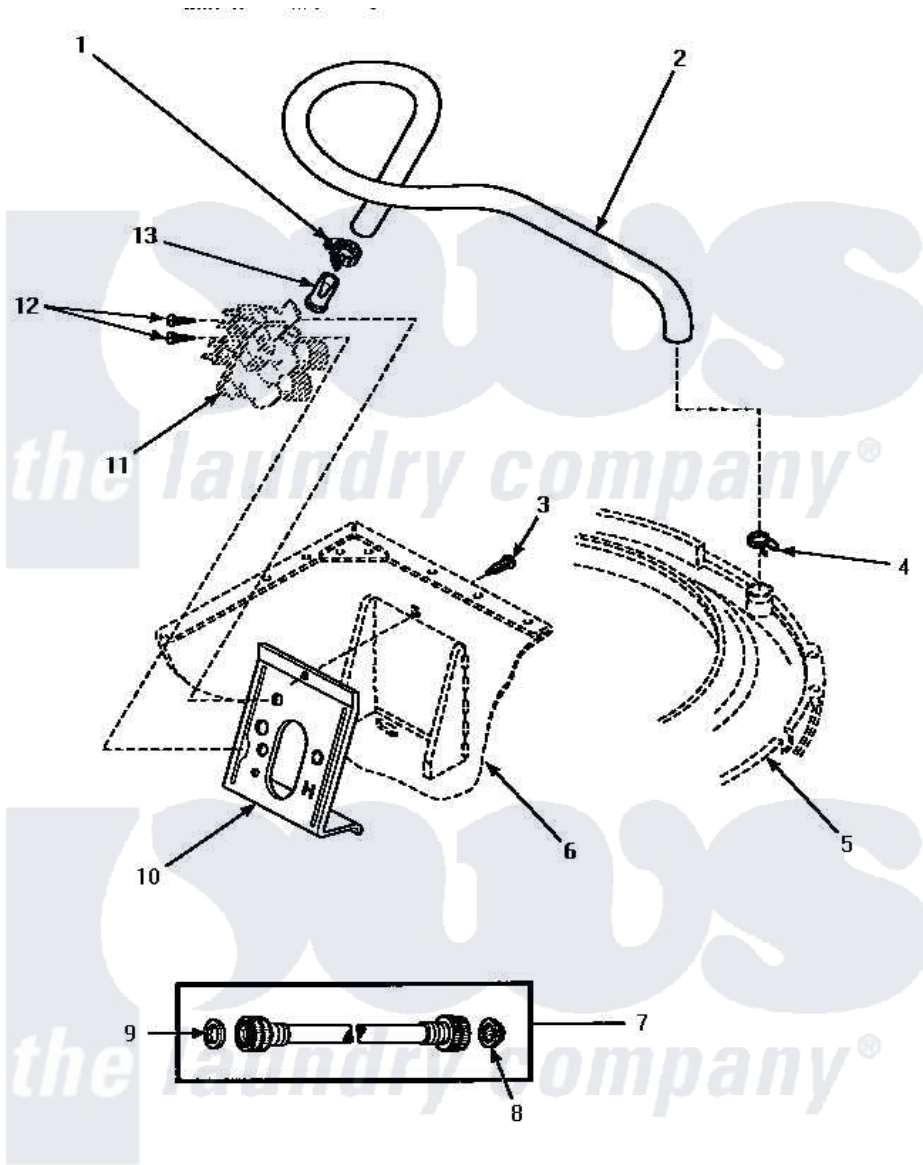


# Amana AWM392L 09 - INLET/FILL HOSE & MIXING VLV MTG BRKT



## INLET HOSE, FILL HOSE AND MIXING VALVE MOUNTING BRACKET

Amana Residential Amana AWM392L Washer Parts Parts Diagram 09 - INLET/FILL HOSE & MIXING VLV MTG BRKT  
 Click on the part number to view part

Item	Original Part Number	Replaced By	Status	Part Description
1	27643	<a href="#">596669</a>		Clamp, Manifold
2	35874	<a href="#">38155</a>		Hose, Mix Valve To TU
3	33562	<a href="#">27001200</a>		Screw
4	<a href="#">29210</a>			Hose Clamp
5	Y00000000		Not Available	SEE NOTE OUTER TUB COVER
6	Y00000000		Not Available	SEE NOTE CABINET
7	28330P	<a href="#">202860</a>		Inlet Hose Assembly
8	28605	<a href="#">22002960</a>		Strainer, Washer Inlet
9	20290	<a href="#">Y013783</a>		Washer, Inlet Hose
10	34972	<a href="#">39407</a>		Bracket, Valve
11	Y00000000		Not Available	SEE NOTE MIXING VALVE ASSEMBLY
12	56392		Not Available	SCREW,8-18 X 3/8 TAPPI
13	34500	<a href="#">22001900</a>		Preventer, Back Flow