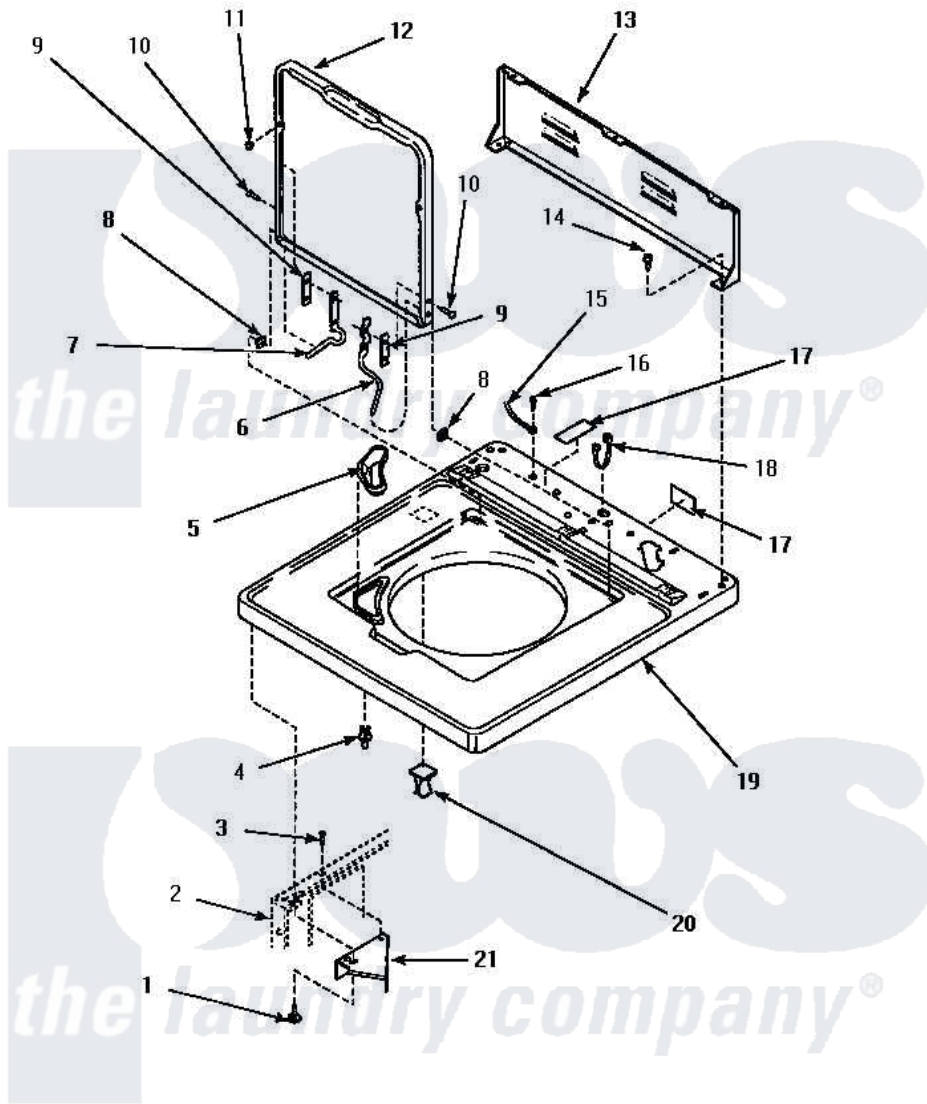


Amana AWM392L2 05 - CAB TOP/LOADING DR & CTRL HOOD REAR PAN



CABINET TOP, LOADING DOOR AND CONTROL HOOD REAR PANEL

Amana [Residential Amana AWM392L2 Washer Parts](#) Parts Diagram 05 - CAB TOP/LOADING DR & CTRL HOOD REAR PAN

Click on the part number to view part

Item	Original Part Number	Replaced By	Status	Part Description
1	Y31644	27001200		Screw
2	Y00000000		Not Available	SEE NOTE CABINET ASSY – (SEE FRONT PANEL, BASE AND CABINET ASSY PAGE)
3	36035		Not Available	SCREW,8-18X3/8 PHIL FLT HD
4	56534			Barrel, Support
5	34776		Not Available	DISPENSER,BLEACH
6	36437			Hinge, Lid R
7	36513			Hinge, Left
8	33446	40008201		Bushing, Hinge
9	34338			Gasket, Hinge
10	34337	W10119828		Screw, Lid Hinge Mounting
11	21685	40038001		Bumper
12	33541LP			Lid, W/Instructions
"	33541WP			Lid, W/Instructions
13	34903		Not Available	PANEL, BACK HOOD (USE

13	34903	W10116760	Not Available	37782)
14	23962			Screw
15	Y00000000		Not Available	SEE NOTE GROUND WIRE
16	52909			Screw, 10B-16 X 1/2 HeX
17	24903		Not Available	STICKER,DISCONNECT POW
18	21903	211881		Grommet, Cord Part Not Used- Gas Models Only
19	34902LP			Assembly, Top-Amana
"	34902WP		Not Available	ASSY, TOP-AMANA
20	36519		Not Available	CLIP
21	36034			Bracket, Director-Module

