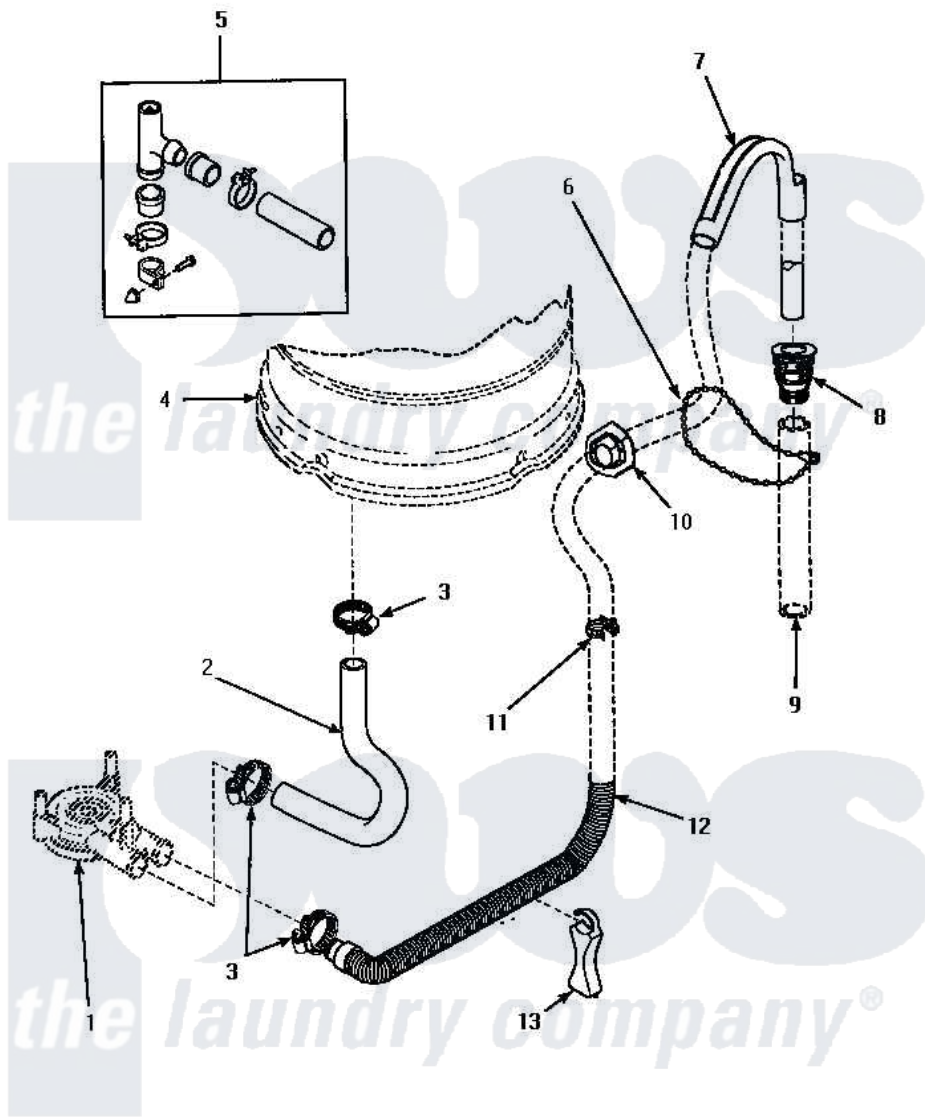


Amana AWM392L2 06 - DRAIN HOSE & SIPHON BREAK



DRAIN HOSE AND SIPHON BREAK

Amana [Residential Amana AWM392L2 Washer Parts](#) Parts Diagram 06 - DRAIN HOSE & SIPHON BREAK
 Click on the part number to view part

| Item | Original Part Number | Replaced By | Status | Part Description |
|------|-----------------------|--------------------------|---------------|---|
| 1 | Y00000000 | | Not Available | SEE NOTE PUMP ASSEMBLY -- (SEE MOTOR, PUMP AND IDLER ASSEMBLY PAGE) |
| 2 | 35753 | | | Hose, Tub To Pump-Ddp |
| 3 | 36802 | 285655 | | Clamp, Hose |
| 4 | Y00000000 | | Not Available | SEE NOTE OUTER TUB -- (SEE OUTER TUB, COVER AND PRESSURE HOSE PAGE) |
| 5 | 562P3 | 76660 | | Break-Sphn |
| 6 | 33489 | 8539404 | | Tie-Wire |
| 7 | 33615 | 22003814 | | Retainer, Drain Hose |
| 8 | 36878 | 40008101 | | Adapter, Standpipe |
| 9 | Y00000000 | | Not Available | SEE NOTE STANDPIPE |
| 10 | 32219 | | | Relief, Strain |
| 11 | 36014 | | | Clip, Retainer-Hose |
| 12 | 37245 | 40053901 | | Hose, Drain |
| 13 | 36522 | | | Hose Support |

