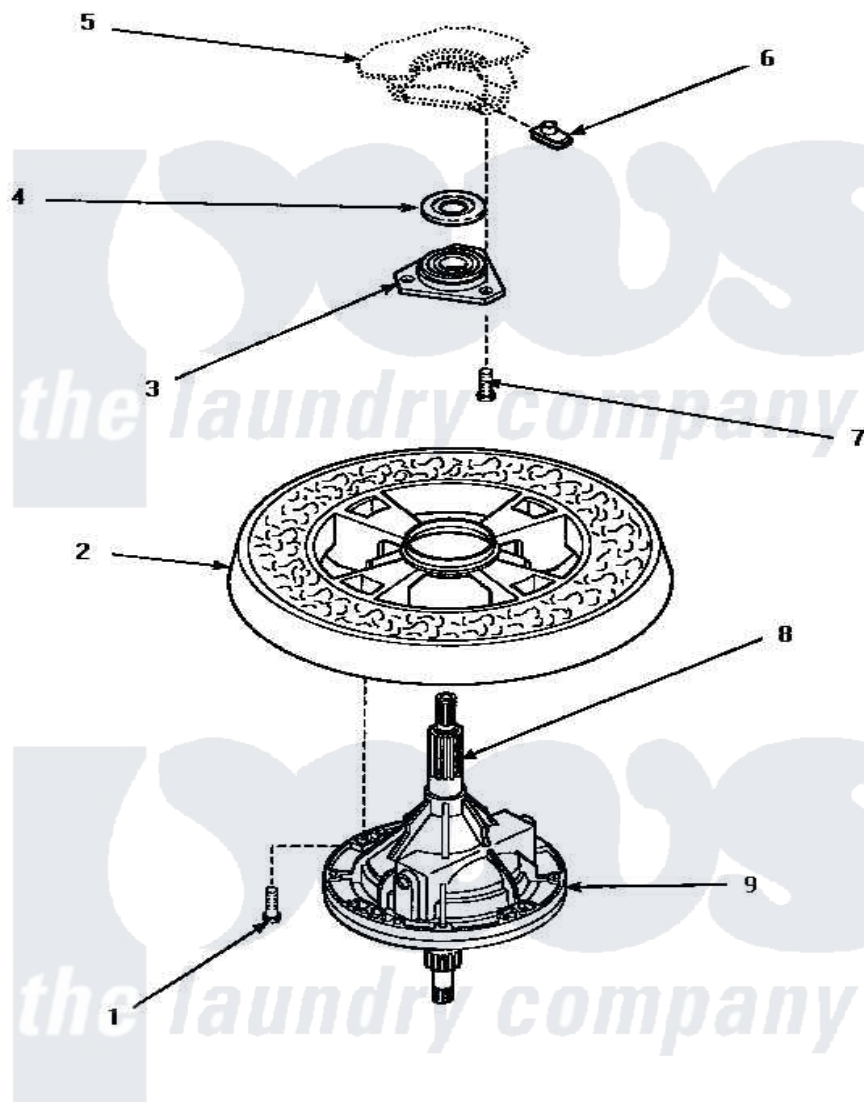


Amana AWM392L2 17 - TRANSMISSION ASSY & BALANCE RING



TRANSMISSION ASSEMBLY AND BALANCE RING

Amana [Residential Amana AWM392L2 Washer Parts](#) Parts Diagram 17 - TRANSMISSION ASSY & BALANCE RING
 Click on the part number to view part

Item	Original Part Number	Replaced By	Status	Part Description
1	37047		Not Available	SCREW, CAP
2	34731		Not Available	ASSY,BALANCE RING-COMPL
3	27182	40004201P		Main Bearing Assembly
4	27187			Flinger
5	Y00000000		Not Available	SEE NOTE OUTER TUB -- (SEE OUTER TUB, COVER AND PRESSURE HOSE PAGE)
6	27222			Nut, Retainer 5/16-18
7	36991	3400500		Bolt, 3405245 5/16-18 X 3/4
8	27604P			Never-Seeze 1 Oz Tube
9	34526P			Assembly, Transmission