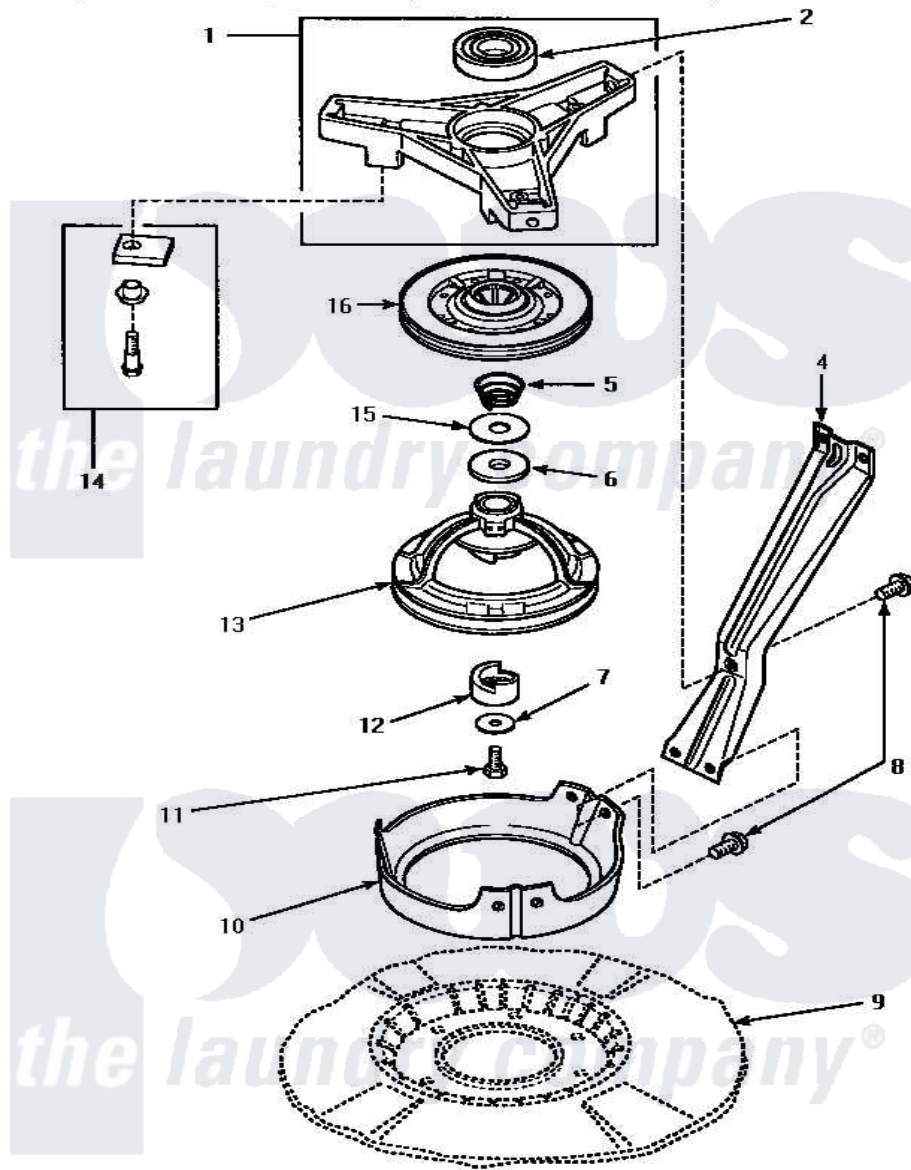


# Amana AWM393W 03 - BRG HSG/BRAKE/PULLEY & PIVOT DOME



## BEARING HOUSING, BRAKE, PULLEY AND PIVOT DOME

Amana [Residential Amana AWM393W Washer Parts](#) Parts Diagram 03 - BRG HSG/BRAKE/PULLEY & PIVOT DOME

[Click on the part number to view part](#)

Item	Original Part Number	Replaced By	Status	Part Description
1	<a href="#">35746</a>			Assembly, Bearing Housing-L
2	28944R	<a href="#">40004001</a>		Bearing, Main
4	34471		Not Available	LEG,SUPPORT
5	<a href="#">33435</a>			Spring, Conical
6	27015	<a href="#">40063201</a>		Washer, Flat
7	26509	<a href="#">40041501</a>		Washer
8	35369	<a href="#">40128701</a>		Screw, 5/16-18 X .50
9	Y00000000		Not Available	SEE NOTE BASE ASSEMBLY
10	<a href="#">34470</a>			Dome, Pivot
11	27220	<a href="#">40063401</a>		Screw, 1/4-20 x 5/8 Hex
12	<a href="#">27018</a>			Helix
13	<a href="#">34921</a>			Assembly, Pulley-Spin And Agitate
14	548P3	<a href="#">R9900543</a>		Pad-Brake
15	35535	<a href="#">40065701</a>		Washer, 2 Odx.63 ID
16	31961P	<a href="#">R9900474</a>		Brake Assembly

