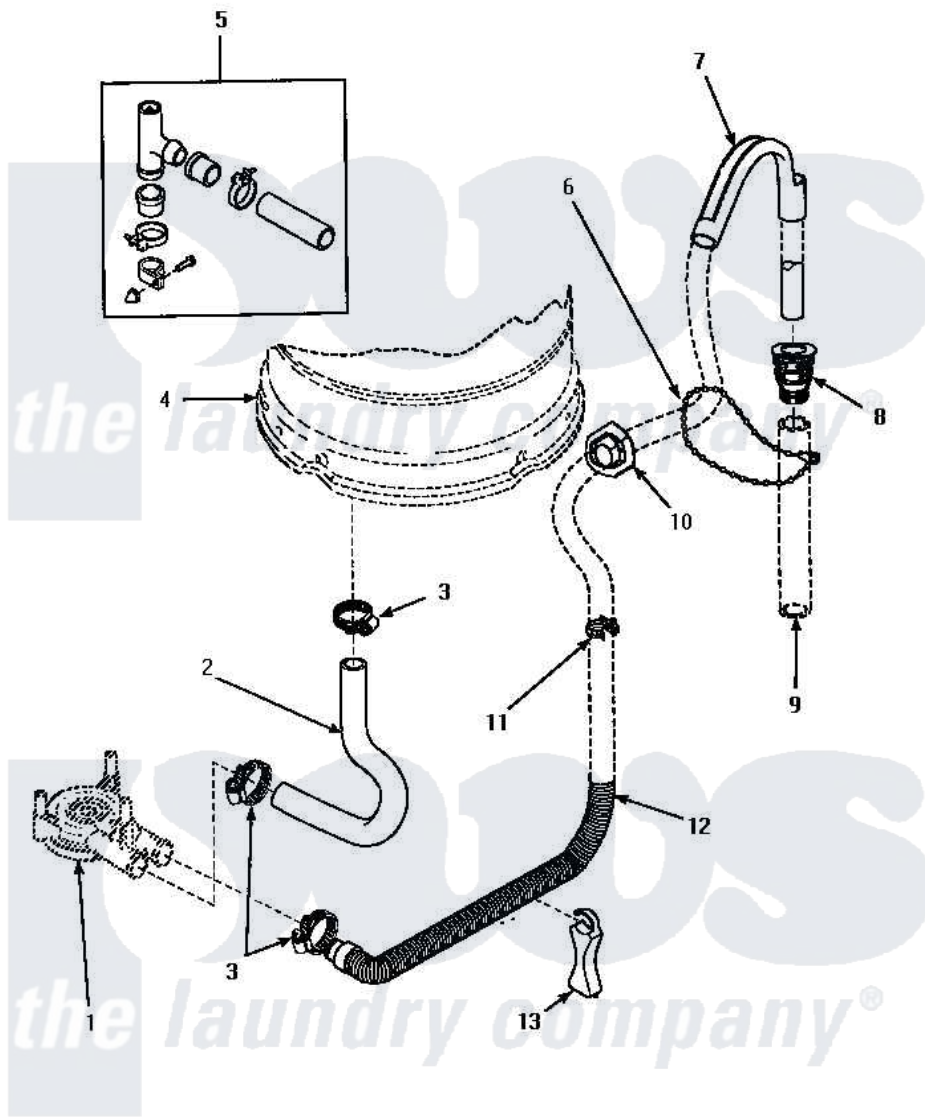


# Amana AWM393W2 06 - DRAIN HOSE & SIPHON BREAK



**DRAIN HOSE AND SIPHON BREAK**

Amana [Residential Amana AWM393W2 Washer Parts](#) Parts Diagram 06 - DRAIN HOSE & SIPHON BREAK  
 Click on the part number to view part

Item	Original Part Number	Replaced By	Status	Part Description
1	Y00000000		Not Available	SEE NOTE PUMP ASSEMBLY -- (SEE MOTOR, PUMP AND IDLER ASSEMBLY PAGE)
2	<a href="#">35753</a>			Hose, Tub To Pump-Ddp
3	36802	<a href="#">285655</a>		Clamp, Hose
4	Y00000000		Not Available	SEE NOTE OUTER TUB -- (SEE OUTER TUB, COVER AND PRESSURE HOSE PAGE)
5	562P3	<a href="#">76660</a>		Break-Sphn
6	33489	<a href="#">8539404</a>		Tie-Wire
7	33615	<a href="#">22003814</a>		Retainer, Drain Hose
8	36878	<a href="#">40008101</a>		Adapter, Standpipe
9	Y00000000		Not Available	SEE NOTE STANDPIPE
10	<a href="#">32219</a>			Relief, Strain
11	<a href="#">36014</a>			Clip, Retainer-Hose
12	37245	<a href="#">40053901</a>		Hose, Drain
13	<a href="#">36522</a>			Hose Support

