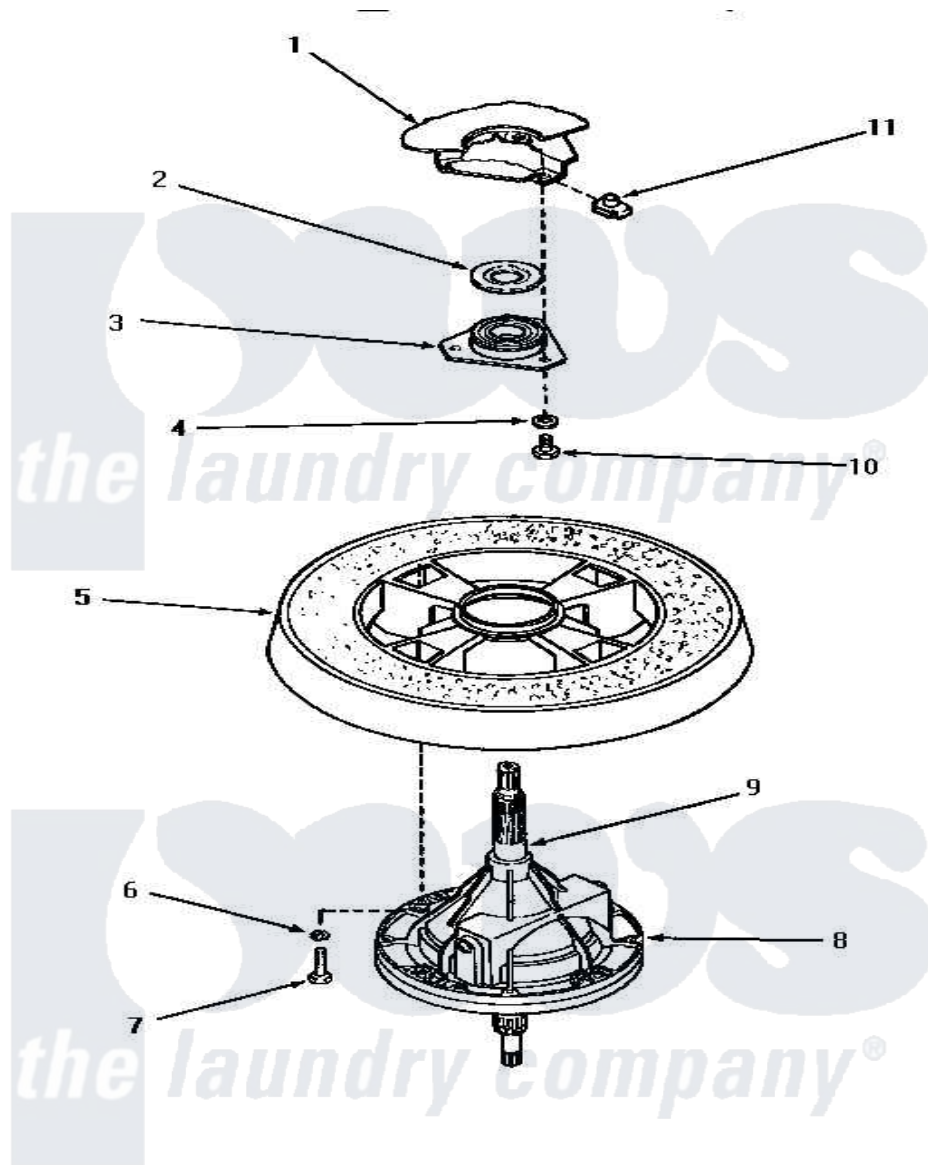


# Amana AWM452 20 - TRANSMISSION ASSY & BALANCE RING



## TRANSMISSION ASSEMBLY AND BALANCE RING

Amana [Residential Amana AWM452 Washer Parts](#) Parts Diagram 20 - TRANSMISSION ASSY & BALANCE RING  
 Click on the part number to view part

Item	Original Part Number	Replaced By	Status	Part Description
1	Y00000000		Not Available	SEE NOTE OUTER TUB
2	<a href="#">27187</a>			Flinger
3	27182	<a href="#">40004201P</a>		Main Bearing Assembly
4	<a href="#">04366</a>			Lockwasher, 5/16intshkp
5	27143		Not Available	BALANCE RING
6	<a href="#">02431</a>			Lockwasher, 1/4 Ext Shk
7	27200		Not Available	CAP SCREW
8	33227	<a href="#">33227P</a>		Assembly- Tran
9	<a href="#">27604P</a>			Never-Seeze 1 Oz Tube
10	01355		Not Available	SCREW
11	<a href="#">27222</a>			Nut, Retainer 5/16-18