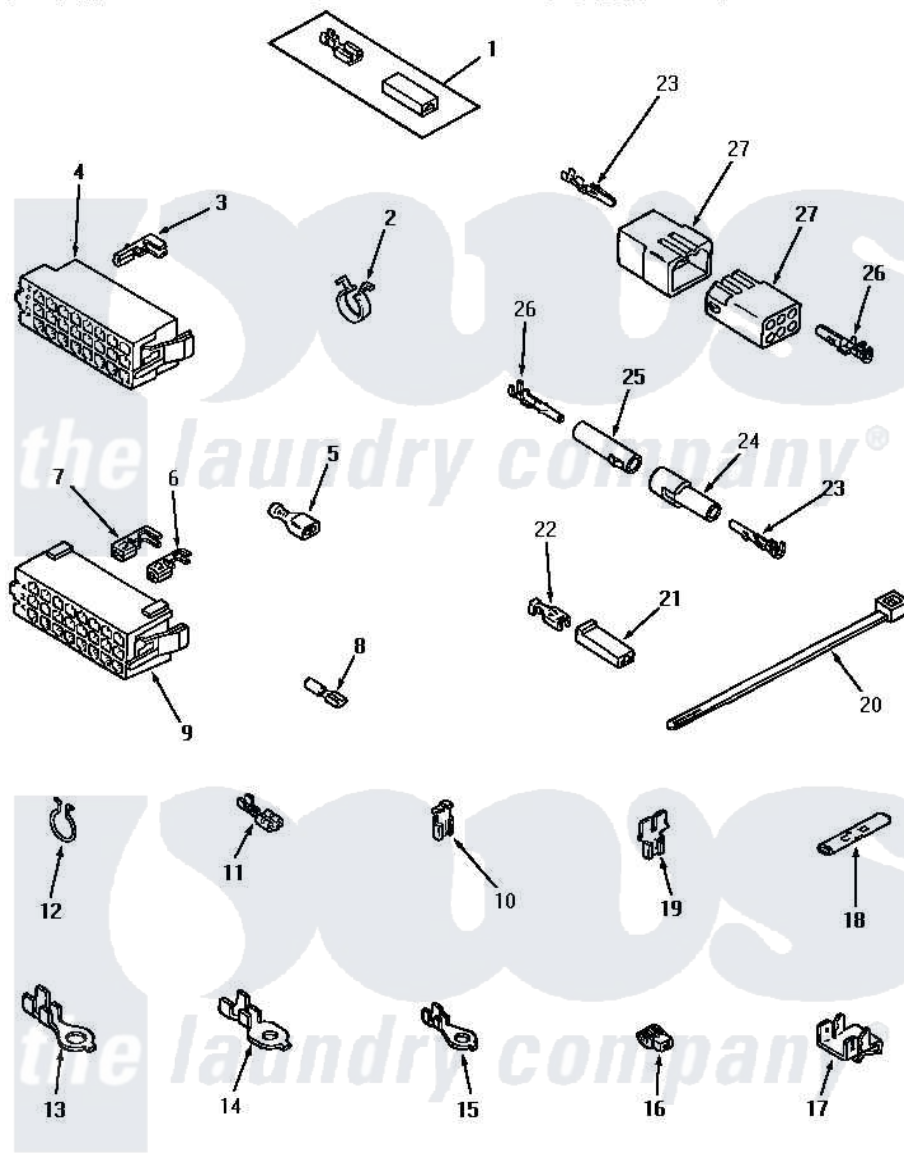


Amana AWM452 22 - WIRE TERMINALS



WIRE TERMINALS

Amana [Residential Amana AWM452 Washer Parts](#) Parts Diagram 22 - WIRE TERMINALS
 Click on the part number to view part

Item	Original Part Number	Replaced By	Status	Part Description
1	00234	00359		Terminal Ultra Pod 250 X032F
2	61510	504034		Clip, Wire
3	Y00188			Molex Terminal
4	34123			Housing, LH -24 Position
"	32746			Housing, RH-24 Positi
5	Y00163	285432		Terminal
"	Y00165			Insulated Spade Terminal
6	00180		Not Available	TERMINAL,FEMALE
7	00183		Not Available	TERMINAL,FEMALE 2-WIRE
8	Y00215			Barrel Insulated Spade
"	Y00214		Not Available	BARREL INSULATED SPADE(18 GAUG (1/4 INCH-18 GAUGE WIRE)
9	28856		Not Available	HOUSING,24 POSITION
10	Y00120			Terminal, Flag-1/4 Fema
11	Y00119		Not Available	SPADE TERMINAL(18 GAUGE) (1/4 INCH-(1) 18 GAUGE WIRE)

"	Y00121		Not Available	SPADE TERMINAL(12 GAUGE) (1/4 INCH-(2) 18 GAUGE WIRES O
12	51291			Clip, Wire
13	Y00113		Not Available	TERMINAL,RING-1/4 STUD
14	Y00111			Ring Terminal No.10 No.10 18 Gauge Wires Or
15	00110			No.10 18 Gauge Wire
16	70210		Not Available	INSULATOR,BLUE
17	Y00161	B5733302		Clip, Ground
18	21091		Not Available	CONNECTOR TWO 1/4 INCH MALE
19	29673		Not Available	DOUBLE CONNECTOR
20	55881	M0321209		Tie-Electrical
21	90789			Connector
22	Y00115			Lock In Spade Terminal (18 Gaug (1/4 Inch-(1) 18 Gauge Wire)
23	Y00116			Terminal, Pin-Male
24	26302		Not Available	PLUG,1 CIRCUIT
25	26301			Receptacle, Molex
26	Y00117	5011-XX		093 Female Socket
27	26708			Receptacle, 6 Circuit
28	23041			Plug, 6 Circuit

