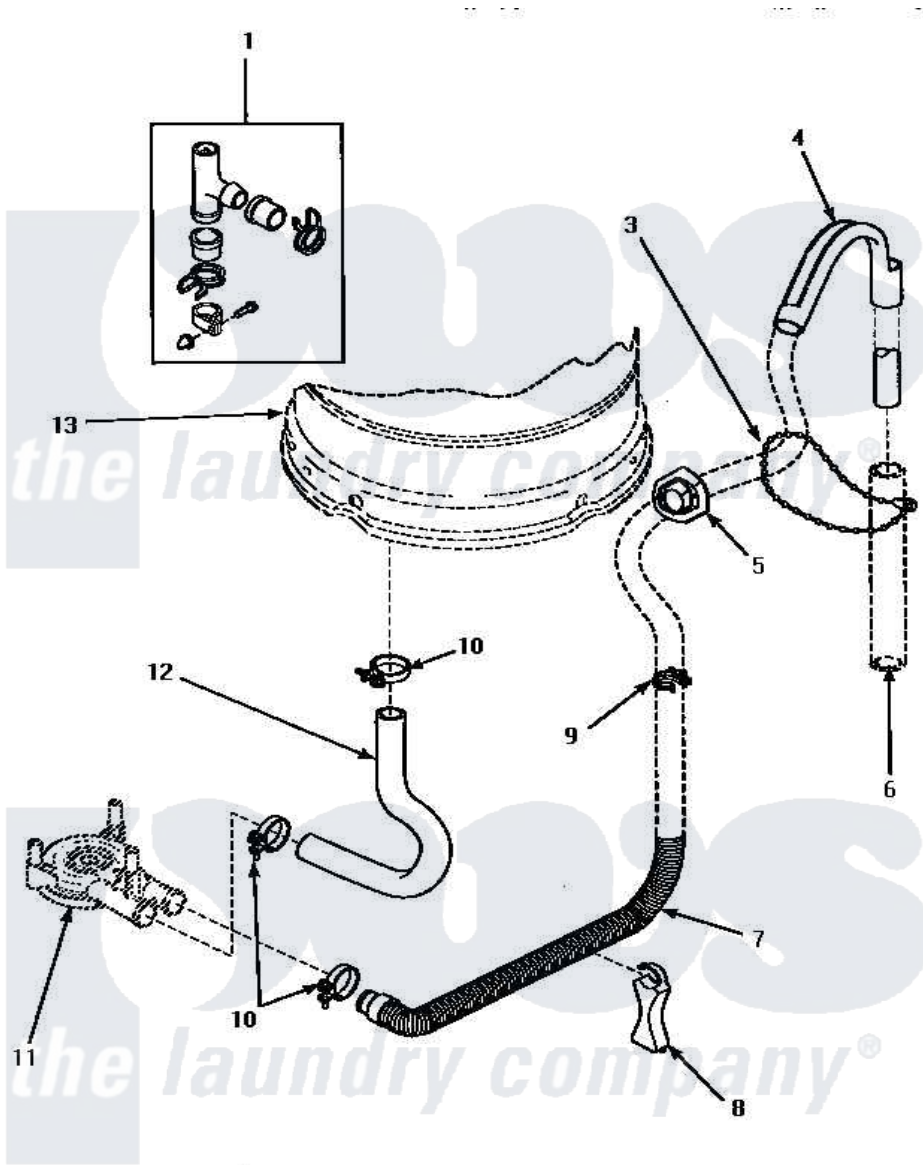


Amana AWM473W 06 - DRAIN HOSE & SIPHON BREAK



DRAIN HOSE AND SIPHON BREAK

Amana [Residential Amana AWM473W Washer Parts](#) Parts Diagram 06 - DRAIN HOSE & SIPHON BREAK

[Click on the part number to view part](#)

| Item | Original Part Number | Replaced By | Status | Part Description |
|------|-----------------------|--------------------------|---------------|------------------------|
| 1 | 562P3 | 76660 | | Break-Sphn |
| 3 | 33489 | 8539404 | | Tie-Wire |
| 4 | 33615 | 22003814 | | Retainer, Drain Hose |
| 5 | 32219 | | | Relief, Strain |
| 6 | Y00000000 | | Not Available | SEE NOTE STANDPIPE |
| 7 | 34502 | 40053901 | | Hose, Drain |
| 8 | 35487 | | | Support, Hose |
| 9 | 36014 | | | Clip, Retainer-Hose |
| 10 | 35384 | 285655 | | Clamp, Hose |
| 11 | Y00000000 | | Not Available | SEE NOTE PUMP ASSEMBLY |
| 12 | 35753 | | | Hose, Tub To Pump-Ddp |
| 13 | Y00000000 | | Not Available | SEE NOTE OUTER TUB |
| NI | 406P3 | 451P3 | | Kit Drain Extension |