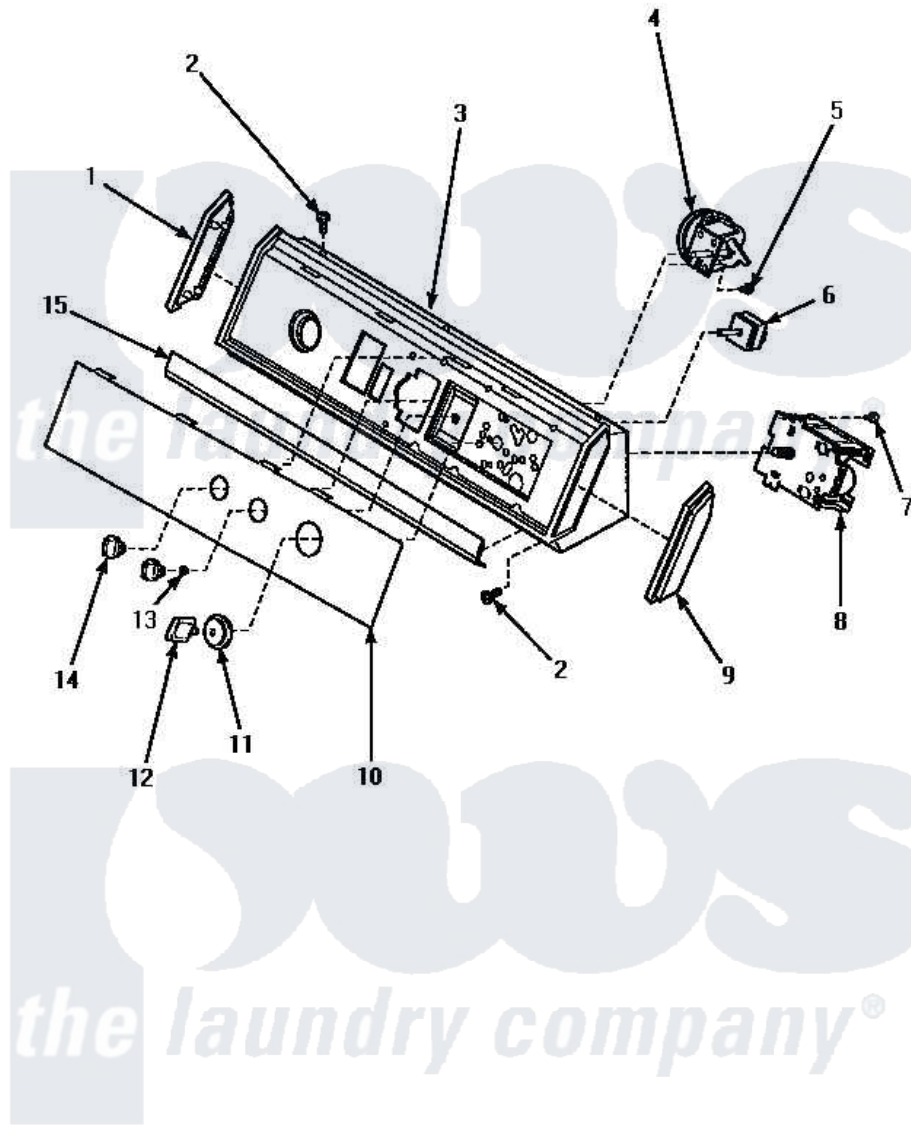


# Amana AWM493 08 - GRAPHIC PANEL, CONTROL HOOD & CONTROLS



## GRAPHIC PANEL, CONTROL HOOD AND CONTROLS

Amana [Residential Amana AWM493 Washer Parts](#) Parts Diagram 08 - GRAPHIC PANEL, CONTROL HOOD & CONTROLS

[Click on the part number to view part](#)

| Item | Original Part Number  | Replaced By               | Status        | Part Description  |
|------|-----------------------|---------------------------|---------------|---|
| "    | NOTE:                 |                           | Not Available | OUTER TUB COVER AND GASKET TOOL IS FOR REMOVAL OF 36025 OUTER TUB COVER FROM OUTER TUB AND INSTALLATION OF 32857 GASKET IN OUTER TUB COVER. |
| 1    | 31249                 |                           | Not Available | CAP,END-L.H.-CHROME   |
| 2    | 31752                 |                           | Not Available | SCREW,No.8ABX3/4 POZIDRI  |
| 3    | 31811                 |                           | Not Available | ASSY,HOOD & MOUNTING B  |
| 4    | 36045                 | <a href="#">40055101</a>  |               | Switch, Pressure  |
| 5    | <a href="#">31260</a> |                           |               | Screw, No.8 X 3/8 Ind H   |
| 6    | 21300                 |                           | Not Available | SWITCH,TEMPERATURE  |
| 7    | 23962                 | <a href="#">W10116760</a> |               | Screw   |
| 8    | 31239                 | <a href="#">31239P</a>    |               | Timer 3 Cycle Package   |
| 9    | <a href="#">31248</a> |                           |               | Cap, End-RH-Chrome  |
| 10   | 35234                 |                           | Not Available | No Longer Available   |

|    |                        |               |                             |
|----|------------------------|---------------|-----------------------------|
| 11 | <a href="#">33817</a>  | Not Available | ASSY,TIMER SKIRT-BLACK      |
| 12 | <a href="#">33897</a>  |               | Knob, Timer-Washer-Blac     |
| 13 | 57584                  | Not Available | NUT                         |
| 14 | <a href="#">33610</a>  |               | Assembly, Knob-Rotary-Black |
| 15 | <a href="#">33123R</a> |               | Trim                        |

