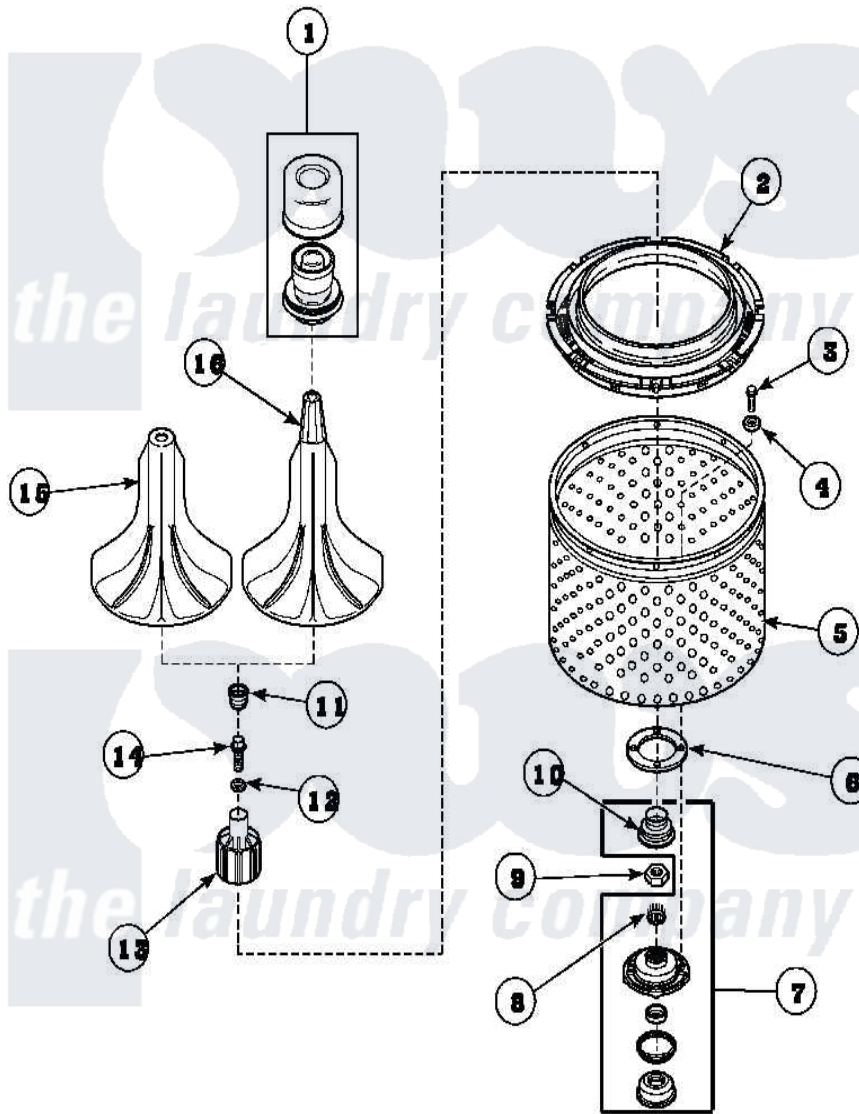


**Amana AWM573W2 (BOM: PAWM573W2) 02 - AGITATOR/DRIVE
BELL/SEAL KIT/TUB & HUB**



WEBSPPSA

Amana Residential Amana AWM573W2 (BOM: PAWM573W2) Washer Parts Parts Diagram 02 - AGITATOR/DRIVE BELL/SEAL KIT/TUB & HUB

[Click on the part number to view part](#)

| Item | Original Part Number | Replaced By | Status | Part Description |
|------|-----------------------|---------------------------|--------|----------------------------|
| 1 | 33510 | | | Assembly, Dispenser-Fabric |
| 2 | 35035 | | | Guard, Clothes |
| 3 | 27202 | W10116787 | | Screw |
| 4 | 28094 | | | Gasket |
| 6 | 27125 | 39122 | | Gasket, Washtub |
| 7 | 495P3 | R9900552 | | Hub And Seal |
| 8 | 29728 | 40008301 | | Insert, Spline |
| 9 | Y29220 | 40016301 | | Nut, Lock |
| 10 | 36425 | 40016101 | | Seal, Bell Drive |
| 11 | 36511 | 40008401 | | Plug, Bell |
| 12 | 36472 | | | O-Ring |
| 13 | 36443P | R9900189 | | Kit, Drive Bell And Seal |
| 14 | 34288 | 40065102 | | Screw, Shoulder 1/4 |