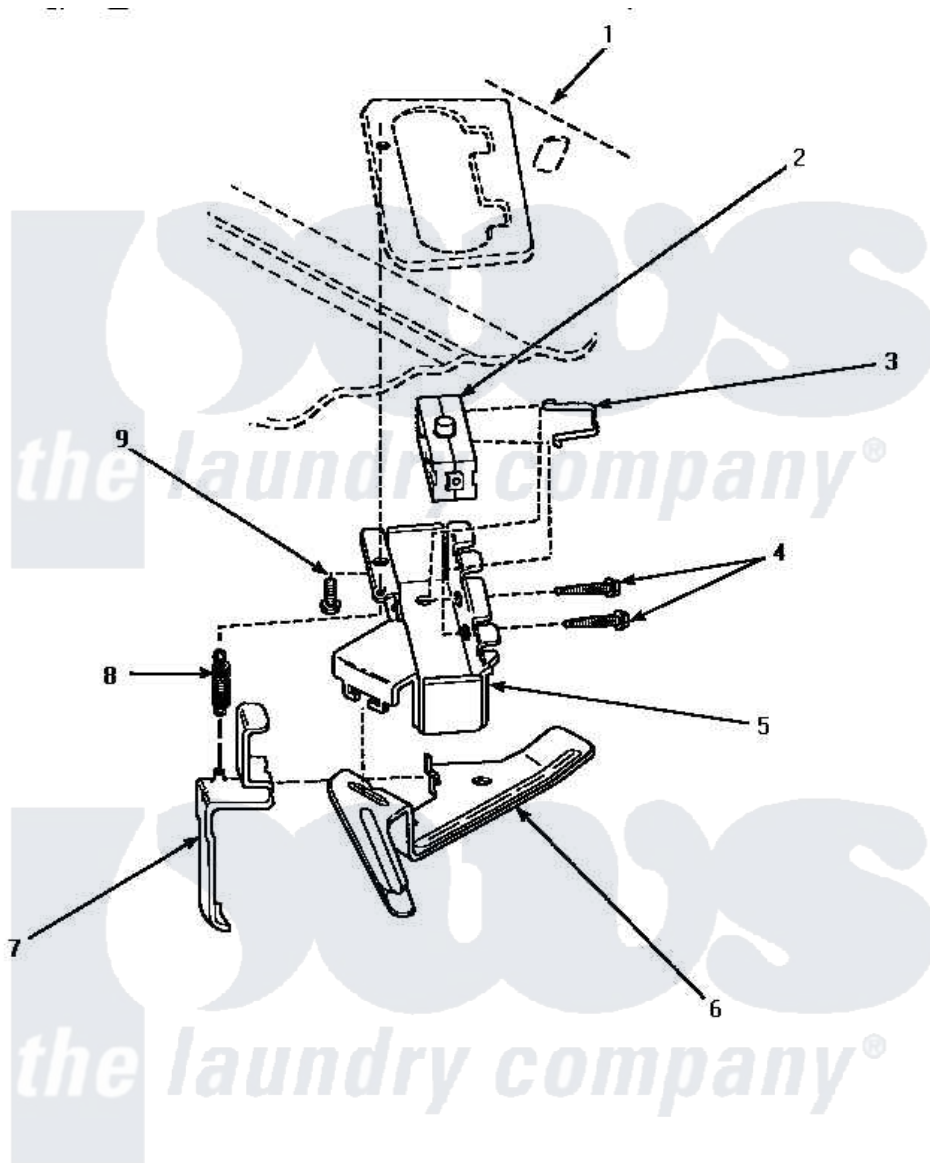


Amana AWM592 14 - OUT-OF-BALANCE SWITCH



OUT-OF-BALANCE SWITCH

Amana [Residential Amana AWM592 Washer Parts](#) Parts Diagram 14 - OUT-OF-BALANCE SWITCH

[Click on the part number to view part](#)

Item	Original Part Number	Replaced By	Status	Part Description
1	Y00000000		Not Available	SEE NOTE CABINET TOP
2	33445	27001095		Switch, Lid
3	33433		Not Available	CLIP,HOLDER-SWITCH
4	36510			Screw
5	34679P		Not Available	SWITCH HOLDER
6	33441			Arm, Actuator
7	33442			Lever, Unbalanced Load
8	33443			Spring
9	23962	W10116760		Screw