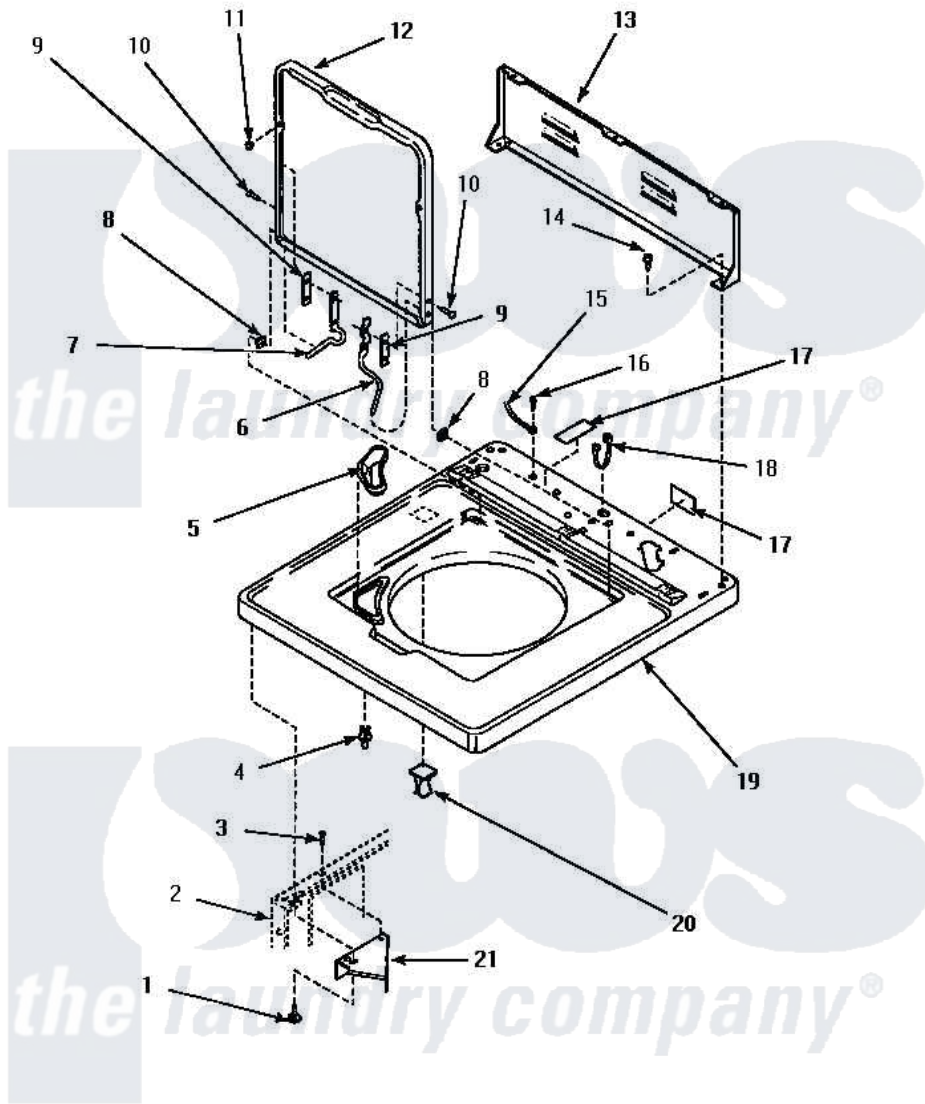


# Amana AWM593L2 05 - CAB TOP/LOADING DR & CTRL HOOD REAR PAN



**CABINET TOP, LOADING DOOR AND CONTROL HOOD REAR PANEL**

Amana [Residential Amana AWM593L2 Washer Parts](#) Parts Diagram 05 - CAB TOP/LOADING DR & CTRL HOOD REAR PAN

Click on the part number to view part

Item	Original Part Number	Replaced By	Status	Part Description
1	Y31644	<a href="#">27001200</a>		Screw
2	Y00000000		Not Available	SEE NOTE CABINET ASSY – (SEE FRONT PANEL, BASE AND CABINET ASSY PAGE)
3	36035		Not Available	SCREW,8-18X3/8 PHIL FLT HD
4	<a href="#">56534</a>			Barrel, Support
5	34776		Not Available	DISPENSER,BLEACH
6	<a href="#">36437</a>			Hinge, Lid R
7	<a href="#">36513</a>			Hinge, Left
8	33446	<a href="#">40008201</a>		Bushing, Hinge
9	<a href="#">34338</a>			Gasket, Hinge
10	34337	<a href="#">W10119828</a>		Screw, Lid Hinge Mounting
11	21685	<a href="#">40038001</a>		Bumper
12	<a href="#">33541LP</a>			Lid, W/Instructions
"	<a href="#">33541WP</a>			Lid, W/Instructions
13	34903		Not Available	PANEL, BACK HOOD (USE

13	34903	W10116760	Not Available	37782)
14	23962			Screw
15	Y00000000		Not Available	SEE NOTE GROUND WIRE
16	<a href="#">52909</a>			Screw, 10B-16 X 1/2 HeX
17	24903		Not Available	STICKER,DISCONNECT POW
18	21903	<a href="#">211881</a>		Grommet, Cord Part Not Used- Gas Models Only
19	<a href="#">34902LP</a>			Assembly, Top-Amama
"	34902WP		Not Available	ASSY, TOP-AMANA
20	36519		Not Available	CLIP
21	<a href="#">36034</a>			Bracket, Director-Module

