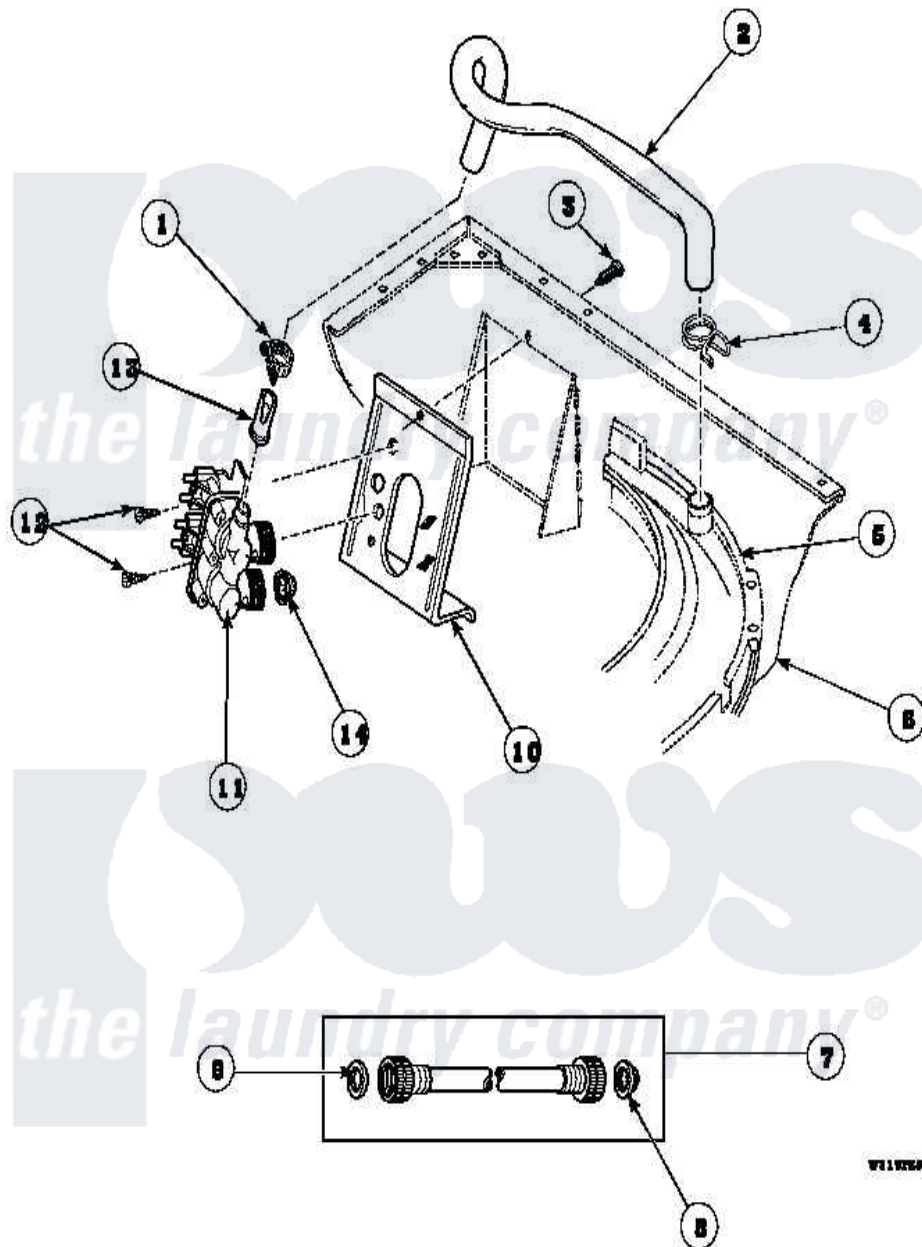


Amana AWM593W2 (BOM: PAWM593W2) 13 - INLET/FILL HOSE/MIXING VLV & MTG BRKT



W1117544

Amana Residential Amana AWM593W2 (BOM: PAWM593W2) Washer Parts Parts Diagram 13 - INLET/FILL HOSE/MIXING VLV & MTG BRKT
 Click on the part number to view part

| Item | Original Part Number | Replaced By | Status | Part Description |
|------|------------------------|---------------------------|---------------|-------------------------------|
| 1 | 36801 | 596669 | | Clamp, Manifold |
| 2 | 35874 | 38155 | | Hose, Mix Valve To TU |
| 3 | 33562 | 27001200 | | Screw |
| 4 | 29210 | | | Hose Clamp |
| 5 | 36025P | | | Assembly, Tub Coverand Gasket |
| 6 | 34475P | | Not Available | CABINET |
| 7 | 28330P | 202860 | | Inlet Hose Assembly |
| " | 20618 | 21001467 | | Hose- 10' |
| " | 20617 | | Not Available | HOSE, INLET (8 FT) |
| 8 | 28605 | 22002960 | | Strainer, Washer Inlet |
| 9 | 20290 | Y013783 | | Washer, Inlet Hose |
| 10 | 34972 | 39407 | | Bracket, Valve |
| 11 | 34963 | 34963P | | Valve Mixing Package |
| 12 | 23962 | W10116760 | | Screw |

