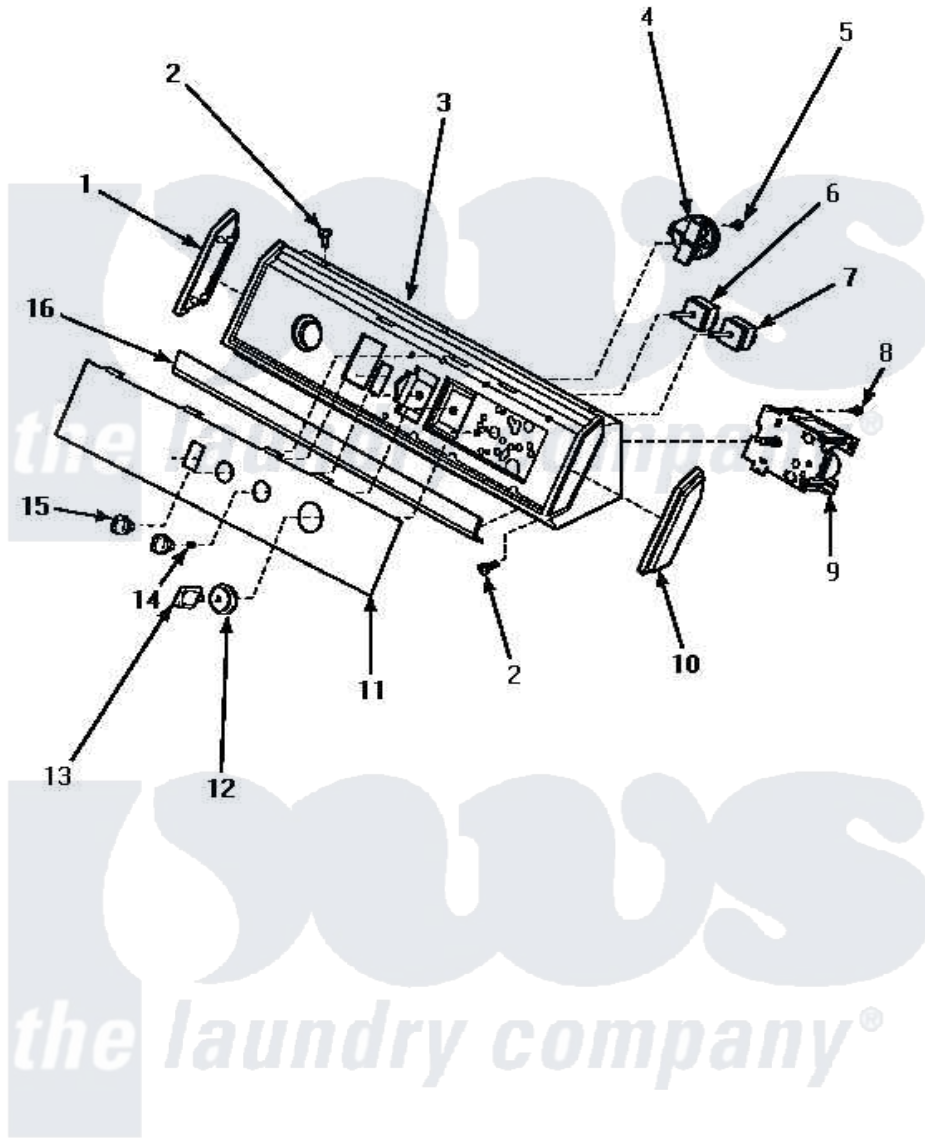


# Amana AWM692 08 - GRAPHIC PANEL, CONTROL HOOD & CONTROLS



## GRAPHIC PANEL, CONTROL HOOD AND CONTROLS

Amana [Residential Amana AWM692 Washer Parts](#) Parts Diagram 08 - GRAPHIC PANEL, CONTROL HOOD & CONTROLS

[Click on the part number to view part](#)

| Item | Original Part Number  | Replaced By               | Status        | Part Description  |
|------|-----------------------|---------------------------|---------------|---|
| "    | NOTE:                 |                           | Not Available | SIPHON BREAK KIT MUST BE INSTALLED IN DRAIN HOSE IF DRAIN RECEPTACLE IS LOWER THAN CABINET TOP OF WASHER. |
| 1    | 31249                 |                           | Not Available | CAP,END-L.H.-CHROME   |
| 2    | 31752                 |                           | Not Available | SCREW,No.8ABX3/4 POZIDRI  |
| 3    | <a href="#">32404</a> |                           |               | Assembly, Hood And Mtg Plate  |
| 4    | <a href="#">36251</a> |                           |               | Switch, Pressure  |
| 5    | <a href="#">31260</a> |                           |               | Screw, No.8 X 3/8 Ind H   |
| 6    | 24392                 |                           | Not Available | SWITCH TEMP   |
| 7    | 33690                 |                           | Not Available | SWITCH,SELECTOR-CYCLE   |
| 8    | 23962                 | <a href="#">W10116760</a> |               | Screw   |
| 9    | 31240                 | <a href="#">31240P</a>    |               | Timer 5 Cycle Package   |
| 10   | <a href="#">31248</a> |                           |               | Cap, End-RH-Chrome  |

|    |                        |               |                             |
|----|------------------------|---------------|-----------------------------|
| 11 | 35232                  | Not Available | PANEL, GRAPHICS             |
| 12 | 33817                  | Not Available | ASSY, TIMER SKIRT-BLACK     |
| 13 | <a href="#">33897</a>  |               | Knob, Timer-Washer-Blac     |
| 14 | 57584                  | Not Available | NUT                         |
| 15 | <a href="#">33610</a>  |               | Assembly, Knob-Rotary-Black |
| 16 | <a href="#">33123R</a> |               | Trim                        |

