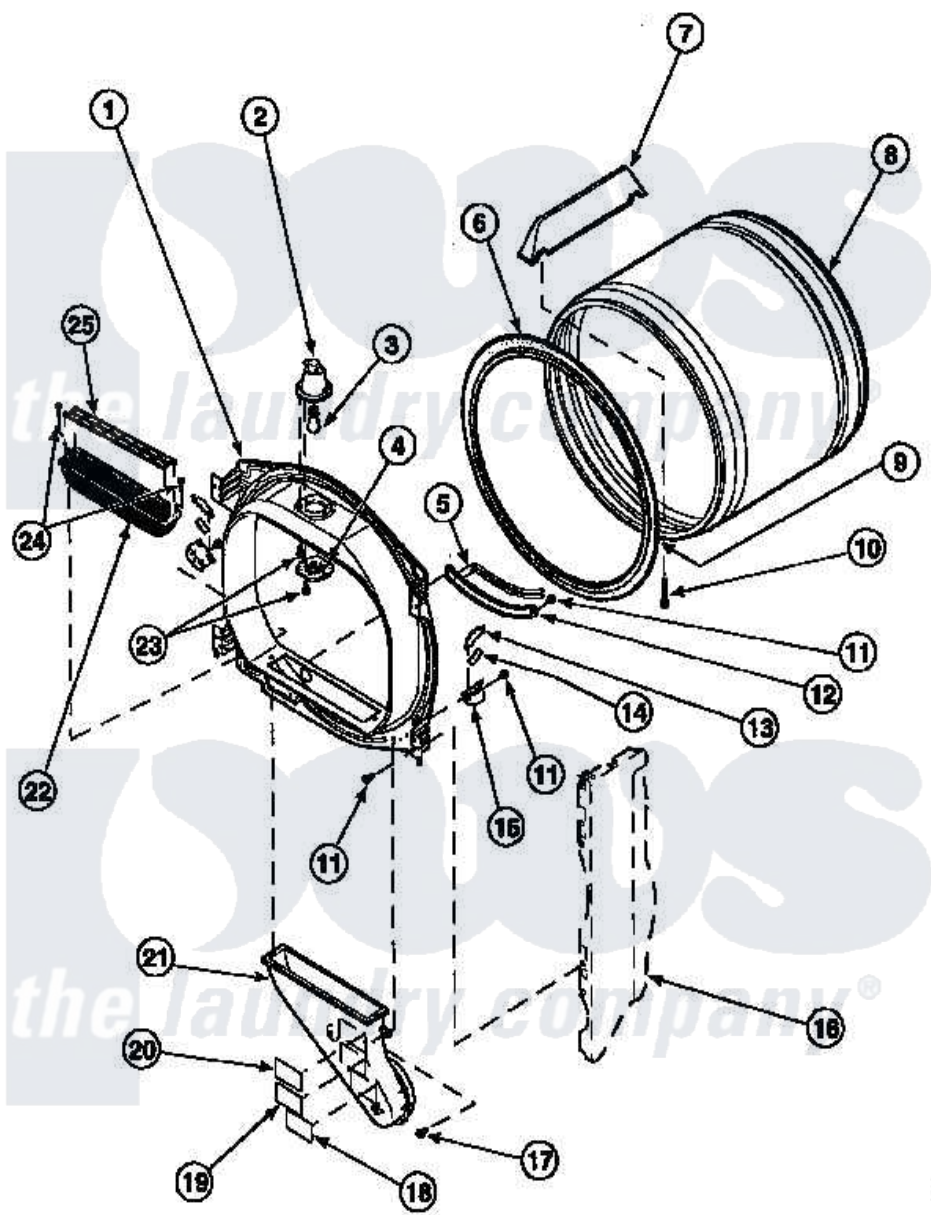


Amana CE8317W2 (BOM: PCE8317W2) 03 - FR BLKHD, AIR DUCT, FELT SEAL & CYLINDER



Amana Residential Amana CE8317W2 (BOM: PCE8317W2) Dryer Parts Parts Diagram 03 - FR BLKHD, AIR DUCT, FELT SEAL & CYLINDER  
 Click on the part number to view part

Item	Original Part Number	Replaced By	Status	Part Description
1	500117W		Not Available	ASSY,BULKHEAD-FRONT-COMP
2	500153		Not Available	CYLINDER LIGHT HOUSING
6	501801	<a href="#">37001132</a>		Seal, Cylinder
7	500022	<a href="#">510102</a>		Baffle- SH
8	500013WP		Not Available	ASSY,CYLINDER-HOME-
9	22506P	<a href="#">511637P</a>		Adh Dow 737 Clr 3 Oz Tube
10	<a href="#">Y62588</a>			Screw, 10BT-12 X 1 Tap
13	Y501676	<a href="#">37001298</a>		Glide- Dry
15	501554	<a href="#">12002090</a>		Bracket
16	500001P		Not Available	(ADD LETTER BEFORE "P" IN PART
17	Y31645	<a href="#">27001200</a>		Screw
18	56259		Not Available	STICKER
20	500314		Not Available	LABEL, WARNING

21 502231

Not Available

DUCT, HEAT

22 [502140P](#)

Filter, Lint Kit

24 [500226](#)

Screw, 8b-16 x 5/8 Tap

25 [502092](#)

Cover, Lint Filter

