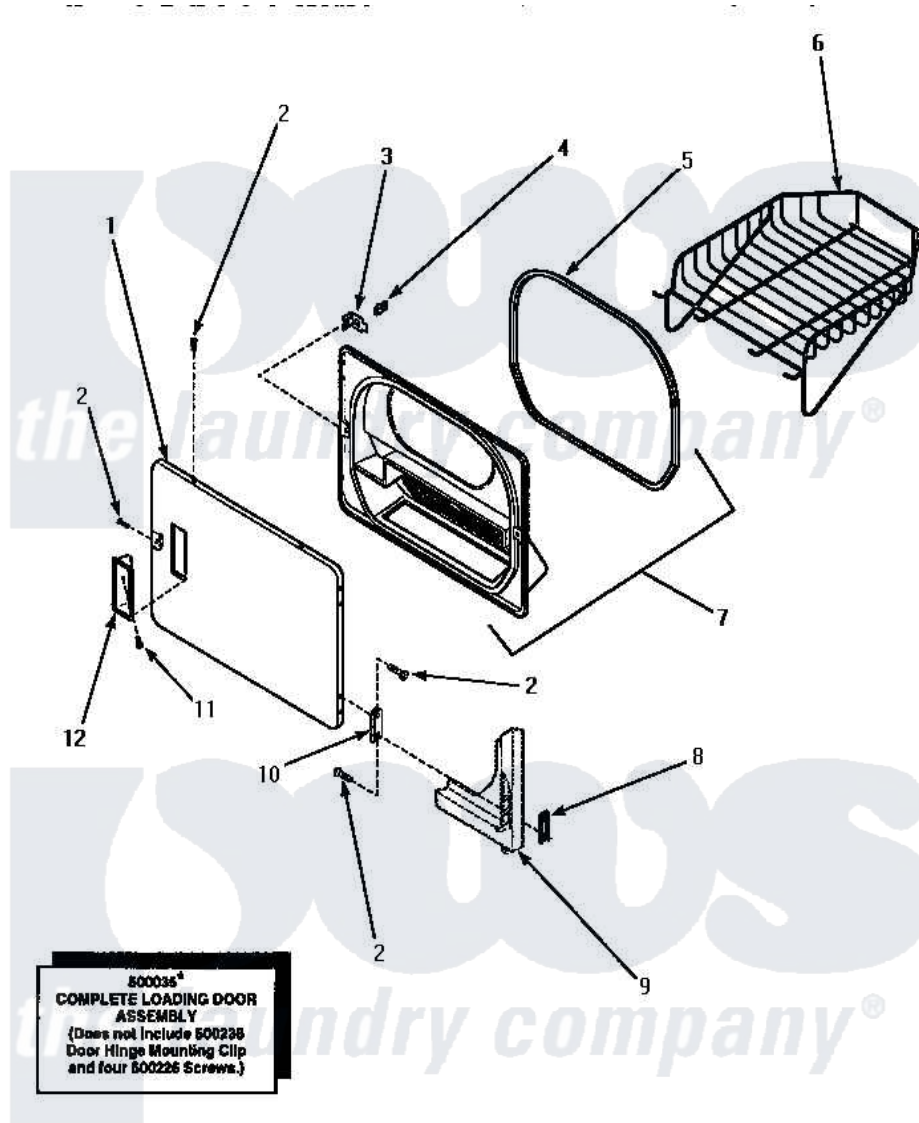


# Amana CE8427W (BOM: PCE8427W) 08 - LOADING DOOR WITH DRYING RACK



## LOADING DOOR WITH DRYING RACK

Amana [Residential Amana CE8427W \(BOM: PCE8427W\) Dryer Parts](#) Parts Diagram 08 - LOADING DOOR WITH DRYING RACK

[Click on the part number to view part](#)

| Item | Original Part Number    | Replaced By              | Status        | Part Description       |
|------|-------------------------|--------------------------|---------------|------------------------|
| 1    | <a href="#">500040L</a> |                          |               | Assembly, Door-Home    |
| "    | <a href="#">500040W</a> |                          |               | Assembly, Door-Home    |
| 2    | <a href="#">500226</a>  |                          |               | Screw, 8b-16 x 5/8 Tap |
| 3    | 500223                  | <a href="#">40116201</a> |               | Bracket, Door Strike   |
| 4    | 500039                  | <a href="#">510181</a>   |               | Strike Doormetal       |
| 5    | 500200                  |                          | Not Available | SEAL,DOOR              |
| 6    | 501295P                 |                          | Not Available | RACK, DRYING           |
| 7    | 500199                  |                          | Not Available | ASSY,LINER & SEAL      |
| 8    | <a href="#">500236</a>  |                          |               | Clip, Door Hinge Mount |
| 9    | Y00000000               |                          | Not Available | SEE NOTE FRONT PANEL   |
| 10   | 500041                  | <a href="#">Y503676</a>  |               | Hinge, Door And Top    |
| 11   | 500297                  | <a href="#">8281236</a>  |               | Screw                  |
| 12   | 500042L                 |                          | Not Available | PULL,DOOR              |
| "    | 500042W                 |                          | Not Available | PULL,DOOR              |
| NI   | 500035W                 |                          | Not Available | ASSY,DOOR-HOME         |

