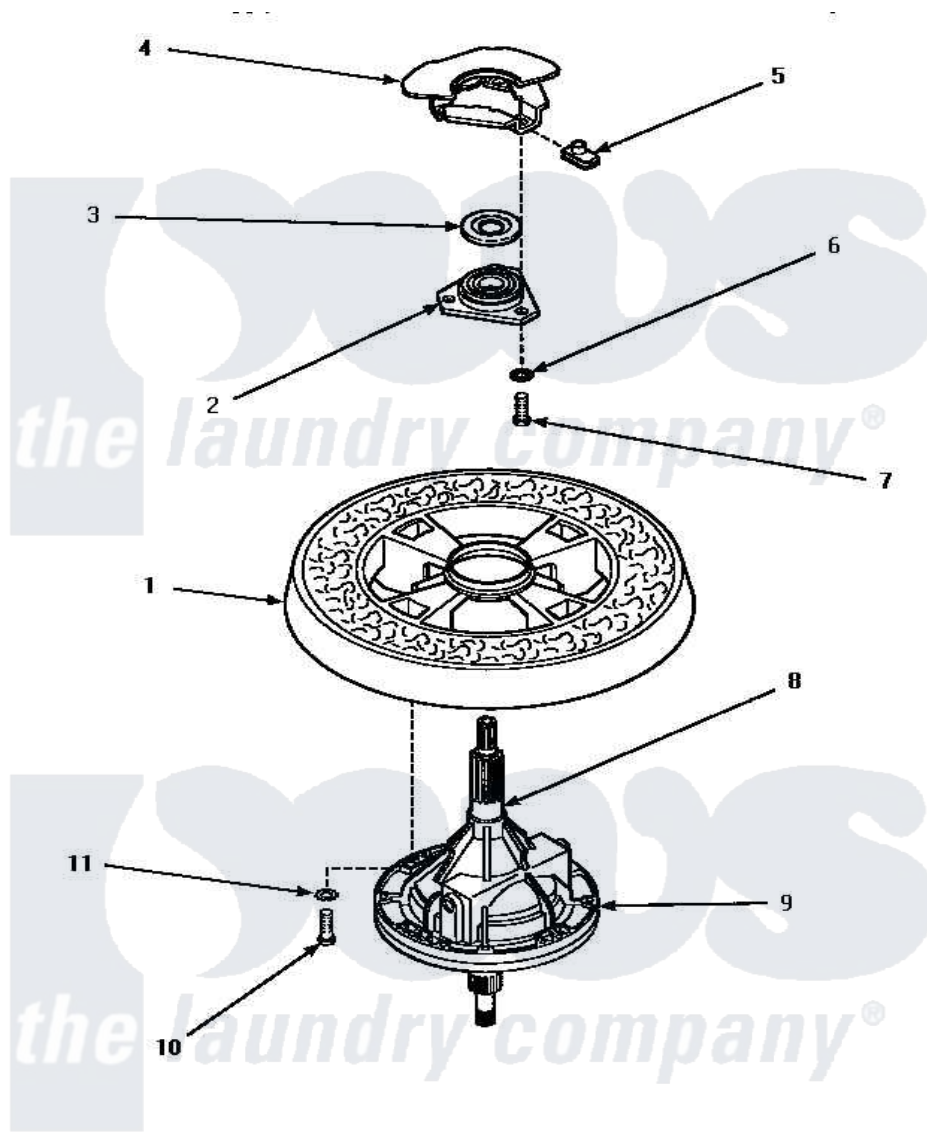


Amana CW3502L (BOM: P1163208W L) 18 - TRANSMISSION ASSY & BALANCE RING



TRANSMISSION ASSEMBLY AND BALANCE RING

Amana [Residential Amana CW3502L \(BOM: P1163208W L\) Washer Parts](#) Parts Diagram 18 - TRANSMISSION ASSY & BALANCE RING

[Click on the part number to view part](#)

| Item | Original Part Number | Replaced By | Status | Part Description |
|------|------------------------|---------------------------|---------------|-------------------------|
| 1 | 34731 | | Not Available | ASSY,BALANCE RING-COMPL |
| 2 | 27182 | 40004201P | | Main Bearing Assembly |
| 3 | 27187 | | | Flinger |
| 4 | Y00000000 | | Not Available | SEE NOTE OUTER TUB |
| 5 | 27222 | | | Nut, Retainer 5/16-18 |
| 6 | 04366 | | | Lockwasher, 5/16intshkp |
| 7 | 01355 | | Not Available | SCREW |
| 8 | 27604P | | | Never-Seeze 1 Oz Tube |
| 9 | Y34526 | 34526P | | Assembly, Transmission |
| 10 | 27200 | | Not Available | CAP SCREW |
| 11 | 02431 | | | Lockwasher, 1/4 Ext Shk |