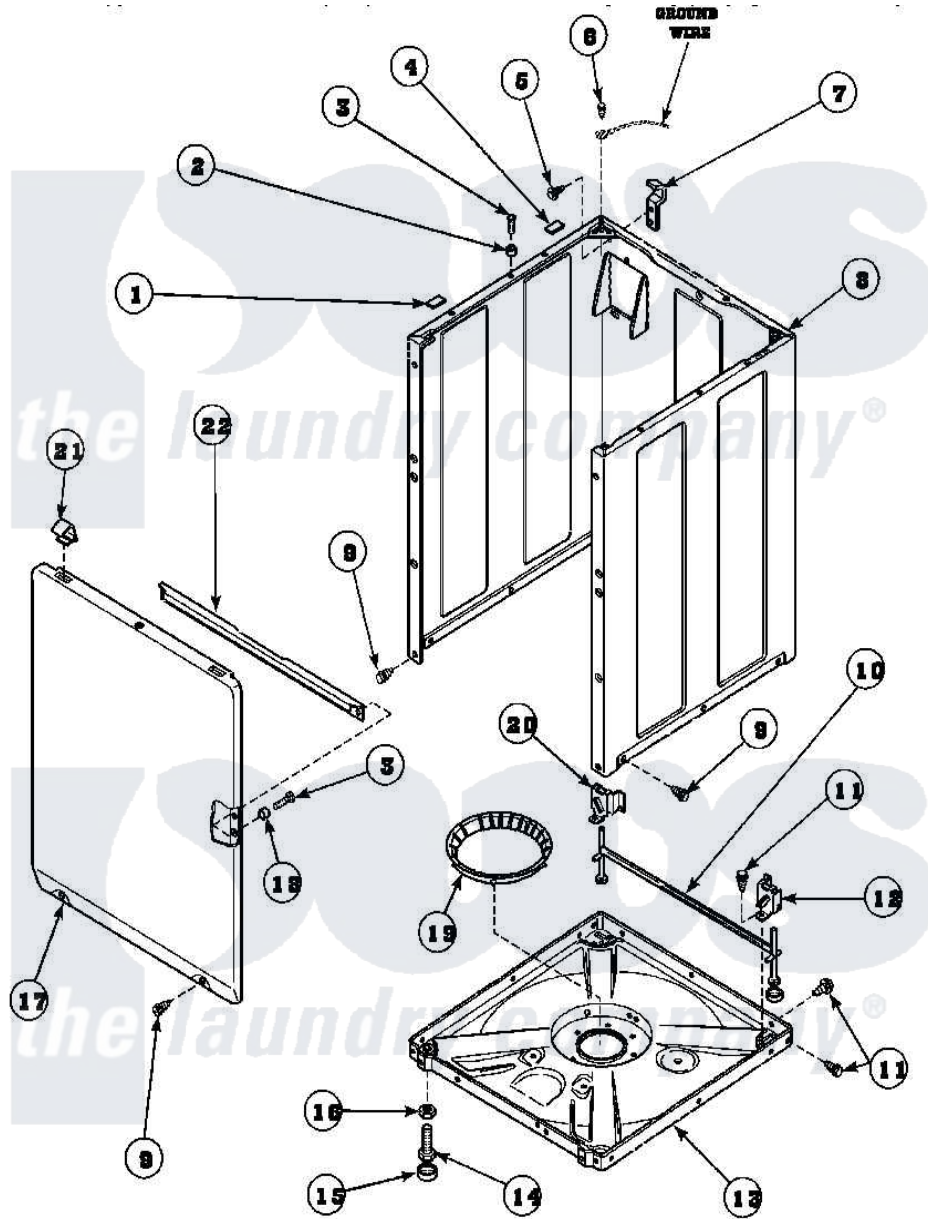


**Amana CW4202W2 (BOM: PCW4202W2A) 08 - FRONT PANEL, BASE ASSY AND CABINET ASSY**



Amana Residential Amana CW4202W2 (BOM: PCW4202W2A) Washer Parts Parts Diagram 08 - FRONT PANEL, BASE ASSY AND CABINET ASSY  
 Click on the part number to view part

| Item | Original Part Number   | Replaced By               | Status        | Part Description              |
|------|------------------------|---------------------------|---------------|-------------------------------|
| 1    | <a href="#">Y56128</a> |                           |               | Pad, Bumper                   |
| 2    | 56079                  | <a href="#">505187</a>    |               | Locator, Panel                |
| 3    | 32671                  | <a href="#">Y014874</a>   |               | Screw, Idler Arm And Sleeve   |
| 4    | <a href="#">36226</a>  |                           |               | Pad, Bumper .25               |
| 5    | 34499                  |                           | Not Available | SCREW, No.10B X 1/4 TAP IN HX |
| 6    | 23962                  | <a href="#">W10116760</a> |               | Screw                         |
| 7    | <a href="#">Y27103</a> |                           |               | Hinge, Hold-Down Lug          |
| 8    | 34475_P                |                           | Not Available | CABINET                       |
| 9    | 27196                  | <a href="#">27001200</a>  |               | Screw                         |
| 10   | <a href="#">34443</a>  |                           |               | Assembly, Leg And Stabilizer  |
| 11   | 35148                  |                           | Not Available | SCREW, 1/4-14 X 3/8 HX HD     |
| 12   | 36036                  |                           | Not Available | BRACKET, SLL-RIGHT            |
| 13   | <a href="#">36599P</a> |                           |               | Assembly Nut/ Leg Base        |
| "    | <a href="#">34434P</a> |                           |               | Assembly Nut/Leg Base         |

|    |                       |                          |                             |
|----|-----------------------|--------------------------|-----------------------------|
| 14 | Y34319                | <a href="#">22003428</a> | Leg, Adjustable             |
| 15 | 34318                 | <a href="#">40016001</a> | Foot, Rubber                |
| 16 | Y21899                | <a href="#">40038101</a> | Nut, Leg                    |
| 17 | 34656_P               | Not Available            | FRONT PANEL                 |
| 18 | <a href="#">28102</a> |                          | Locator, Panel              |
| 19 | 36108                 | Not Available            | SNUBBER PAD & ISOLATOR      |
| 20 | <a href="#">36037</a> |                          | Bracket, SII-Left           |
| 21 | <a href="#">35865</a> |                          | Clip, Hold-Down Front Panel |
| 22 | Y35097                | Not Available            | BRACE, FRT PNL              |

