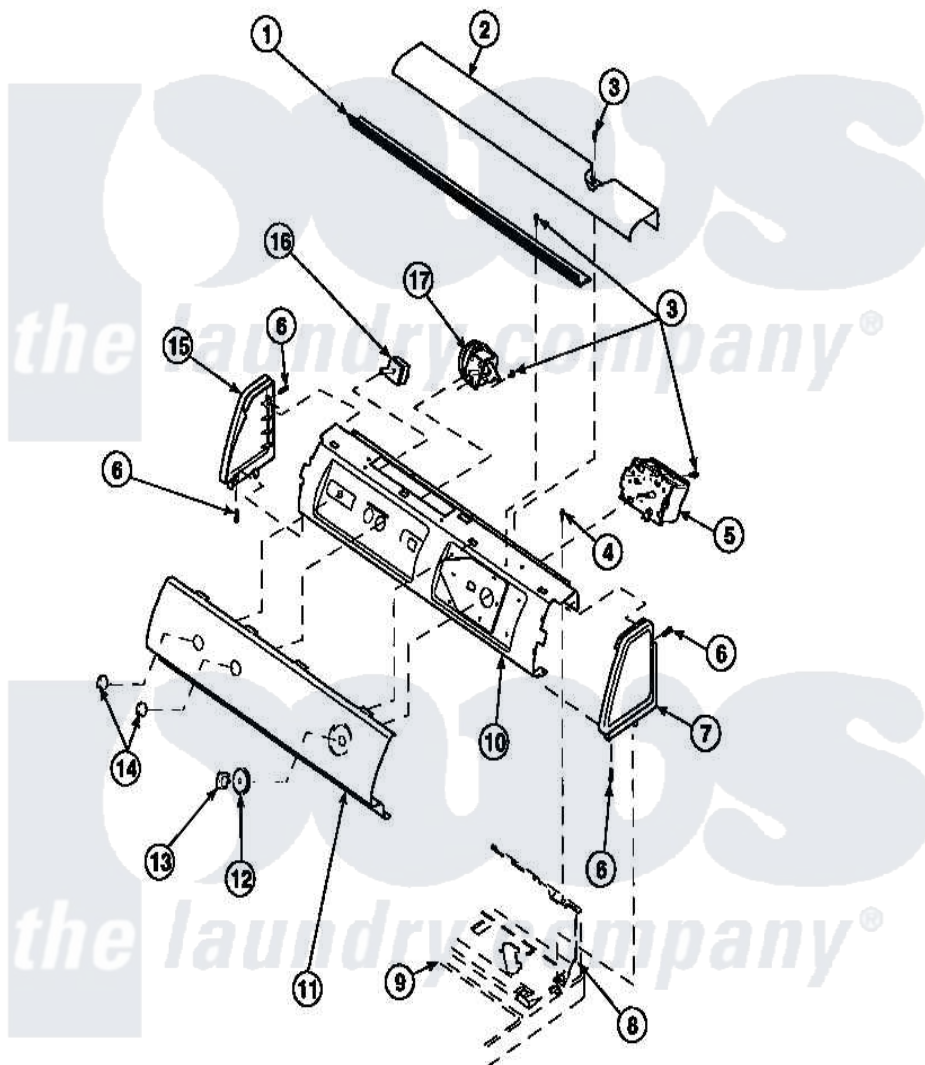


**Amana CW8203W2 (BOM: PCW8203W2 B) 10 - GRAPHIC PANEL, CTRL  
MTG PLATE AND CTRLS**



Amana [Residential Amana CW8203W2 \(BOM: PCW8203W2 B\) Washer Parts](#) Parts Diagram 10 - GRAPHIC PANEL, CTRL MTG PLATE AND CTRLS  
Click on the part number to view part

| Item | Original Part Number | Replaced By               | Status        | Part Description                        |
|------|----------------------|---------------------------|---------------|---|
| 1    | Y34826               |                           | Not Available | DIFFUSER,LAMP-CLEAR                     |
| 2    | 34824                |                           | Not Available | TOP COVER                               |
| 3    | 23962                | <a href="#">W10116760</a> |               | Screw                                   |
| 4    | 34904                | <a href="#">489355</a>    |               | Screw, 8 X 1/2                          |
| 5    | 31239                | <a href="#">31239P</a>    |               | Timer 3 Cycle Package                   |
| 6    | 501086               | <a href="#">90767</a>     |               | Screw, 8A X 3/8 HeX Washer Head Tapping |
| 7    | 34817                |                           | Not Available | END CAP(RIGHT)                          |
| 8    | 34903                |                           | Not Available | PANEL, BACK HOOD (USE 37782)            |
| 9    | 34902P               |                           | Not Available | TOP                                     |
| 10   | 34821                |                           | Not Available | CONTROL MOUNTING PLATE                  |
| 11   | 36613                |                           | Not Available | GRAPHIC PANEL                           |
| 12   | 36700                |                           | Not Available | TIMER KNOB SKIRT                        |
| 13   | 35333                |                           | Not Available | TIMER KNOB                              |

|    |                       |                          |                         |
|----|-----------------------|--------------------------|-------------------------|
| 14 | 36701                 | Not Available            | KNOB, TEMP              |
| 15 | 34818                 | Not Available            | END CAP(LEFT)           |
| 16 | <a href="#">35115</a> |                          | Switch, TemPerature 3 P |
| 17 | 36045                 | <a href="#">40055101</a> | Switch, Pressure        |

