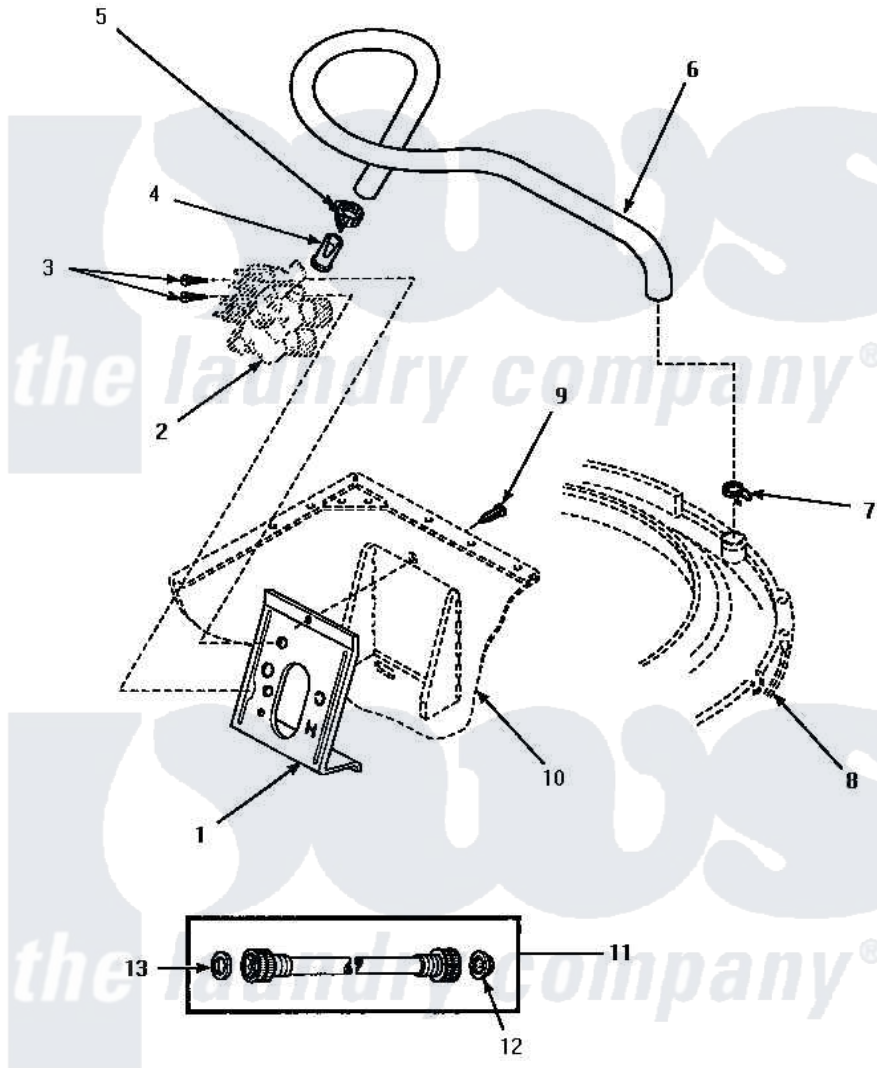


Amana CW9203W2 (BOM: PCW9203W2 A) 05 - CAB TOP/LOADING DR & CTRL HOOD REAR PAN



INLET HOSE, FILL HOSE AND MIXING VALVE MOUNTING BRACKET

Amana [Residential Amana CW9203W2 \(BOM: PCW9203W2 A\) Washer Parts](#) Parts Diagram 05 - CAB TOP/LOADING DR & CTRL HOOD REAR PAN
 Click on the part number to view part

| Item | Original Part Number | Replaced By | Status | Part Description |
|------|-----------------------|---------------------------|---------------|--|
| 1 | 34972 | 39407 | | Bracket, Valve |
| 2 | Y00000000 | | Not Available | SEE NOTE MIXING VALVE ASSEMBLY -- (SEE MIXING VALVE ASSEMBLY PAGE) |
| 3 | 23962 | W10116760 | | Screw |
| 4 | 34500 | 22001900 | | Preventer, Back Flow |
| 5 | 36801 | 596669 | | Clamp, Manifold |
| 6 | 35920 | | Not Available | HOSE,MIXING VALVE/TUB |
| 7 | 29210 | | | Hose Clamp |
| 8 | Y00000000 | | Not Available | SEE NOTE OUTER TUB ASSEMBLY -- (SEE OUTER TUB PAGE) |
| 9 | 33562 | 27001200 | | Screw |
| 10 | Y00000000 | | Not Available | SEE NOTE CABINET ASSEMBLY -- (SEE FRONT PANEL PAGE) |
| 11 | 28330P | 202860 | | Inlet Hose Assembly |

