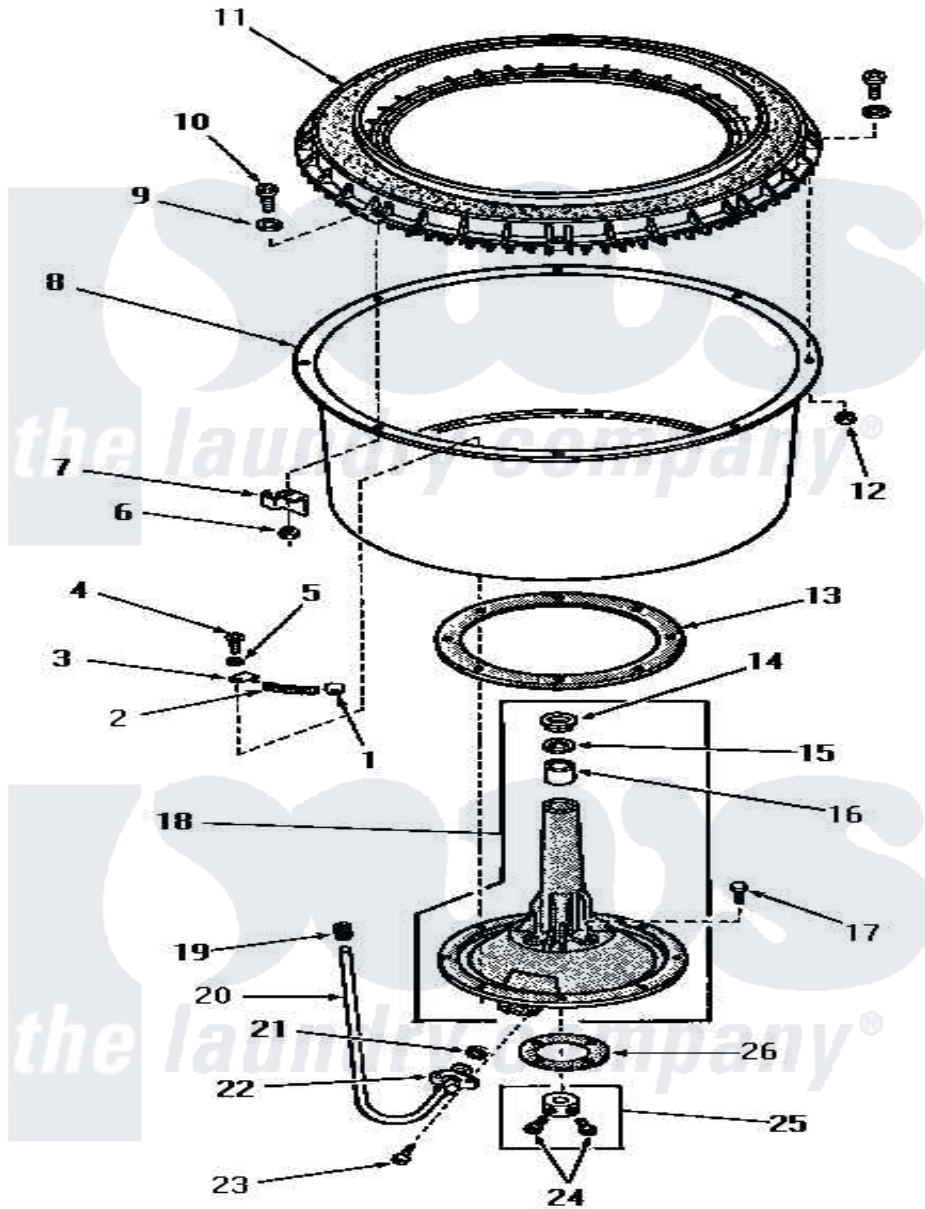


# Amana DA1040 02 - AGITATOR POST AND SPIN TUB



Amana Residential Amana DA1040 Washer Parts Parts Diagram 02 - AGITATOR POST AND SPIN TUB  
 Click on the part number to view part

Item	Original Part Number	Replaced By	Status	Part Description
1	<a href="#">22446</a>			Clip
2	<a href="#">22144</a>			Spring
3	<a href="#">22447</a>			Clip
4	<a href="#">20260</a>			Screw, 5/16-18 X 3/4 RD
5	20121		Not Available	GASKET
6	<a href="#">26678</a>			Nut, Self-Locking
7	<a href="#">22025</a>			Bracket
8	Y25108		Not Available	SPIN TUBE
9	<a href="#">25100</a>			Washer, 17/64 ID x 1/2 OD
10	25251	<a href="#">EZ25251</a>		25 x 25 x 1 Filter 1 Metal Side
11	24931		Not Available	BALANCE RING
12	<a href="#">25250</a>			Nut, 1/4-20 Hex Nyllock
13	<a href="#">20122</a>			Gasket
14	<a href="#">23685</a>			Bearing
15	<a href="#">23684</a>			Seal
16	<a href="#">23686</a>			Bearing

17	<a href="#">20261</a>		Screw, Cap
18	23993	Not Available	ASSY,CENTER COLUMN
19	<a href="#">22351</a>		Sleeve
20	<a href="#">22359</a>		Tube, Sediment
21	<a href="#">20110</a>		Gasket
22	<a href="#">26046</a>		Bracket, Sediment Tube
23	20852	Not Available	SCREW,10-24 X 1/2 HEX
24	23481	<a href="#">02422</a>	Screw, 1/4-20 X 1/2 HeX
25	<a href="#">20377</a>		Collar Assembly
26	<a href="#">20120</a>		Gasket

