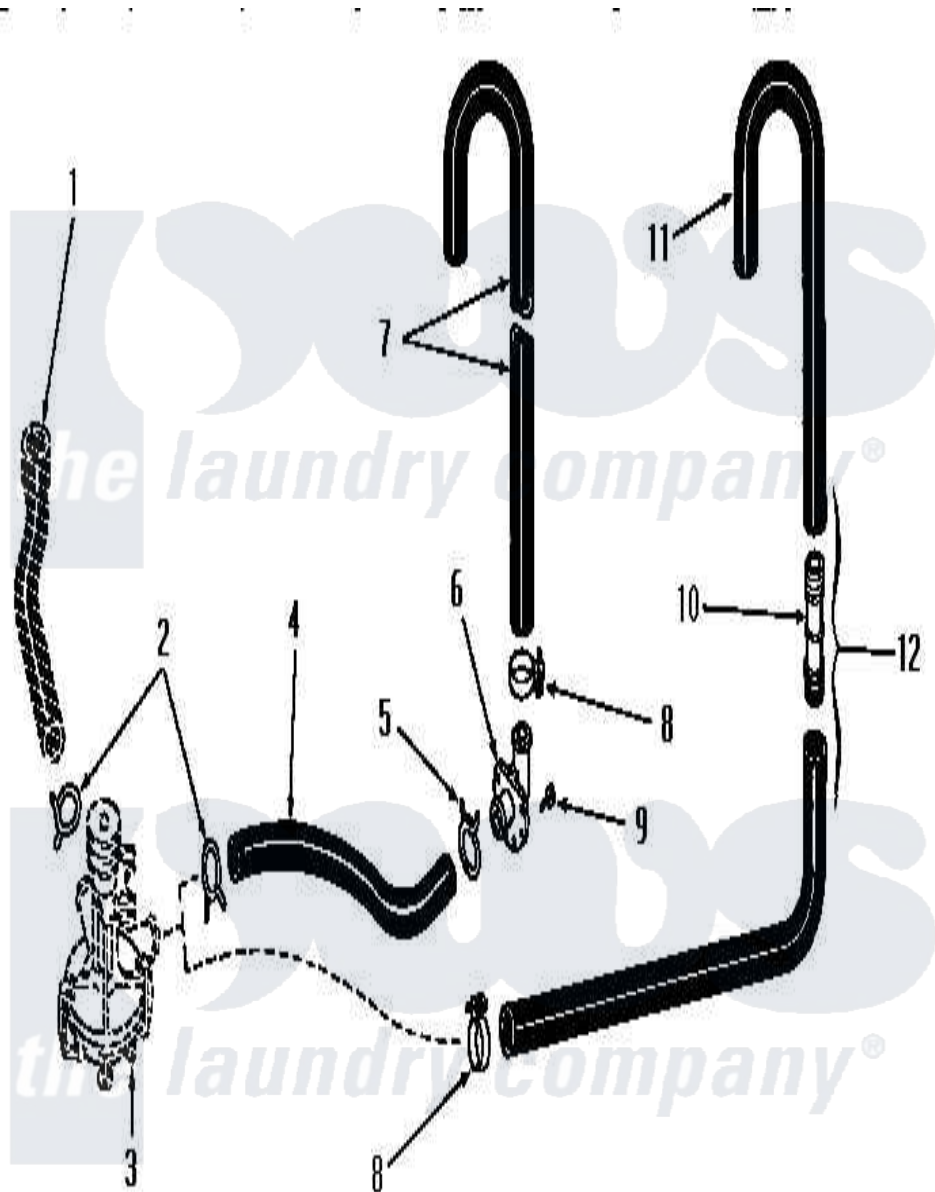


# Amana DA1040 10 - DRAIN (NON SUDS-WATER SAVER MODELS)



Amana [Residential Amana DA1040 Washer Parts](#) Parts Diagram 10 - DRAIN (NON SUDS-WATER SAVER MODELS)  
 Click on the part number to view part

Item	Original Part Number	Replaced By	Status	Part Description
1	Y00000000		Not Available	SEE NOTE DRAIN TUB OUTLET HOSE
2	20210		Not Available	NO LONGER AVAILABLE
3	Y00000000		Not Available	SEE NOTE PUMP ASSEMBLY
4	<a href="#">21254</a>			Hose
5	Y03698		Not Available	CLAMP xREPLACE
6	23553		Not Available	ELBOW,DRAIN HOSE-PLAST
7	<a href="#">20240</a>			Hose, M/F 29219
8	20211	<a href="#">285655</a>		Clamp, Hose
9	51784		Not Available	SCREW,10B-16 X 1/2 HEX
10	25863	<a href="#">16272</a>		Connector, Straight
11	25182		Not Available	DRAIN HOSE
12	Y00000000		Not Available	SEE NOTE HOSE COUPLING AND DRAIN HOSE -- (SEE NOTE)