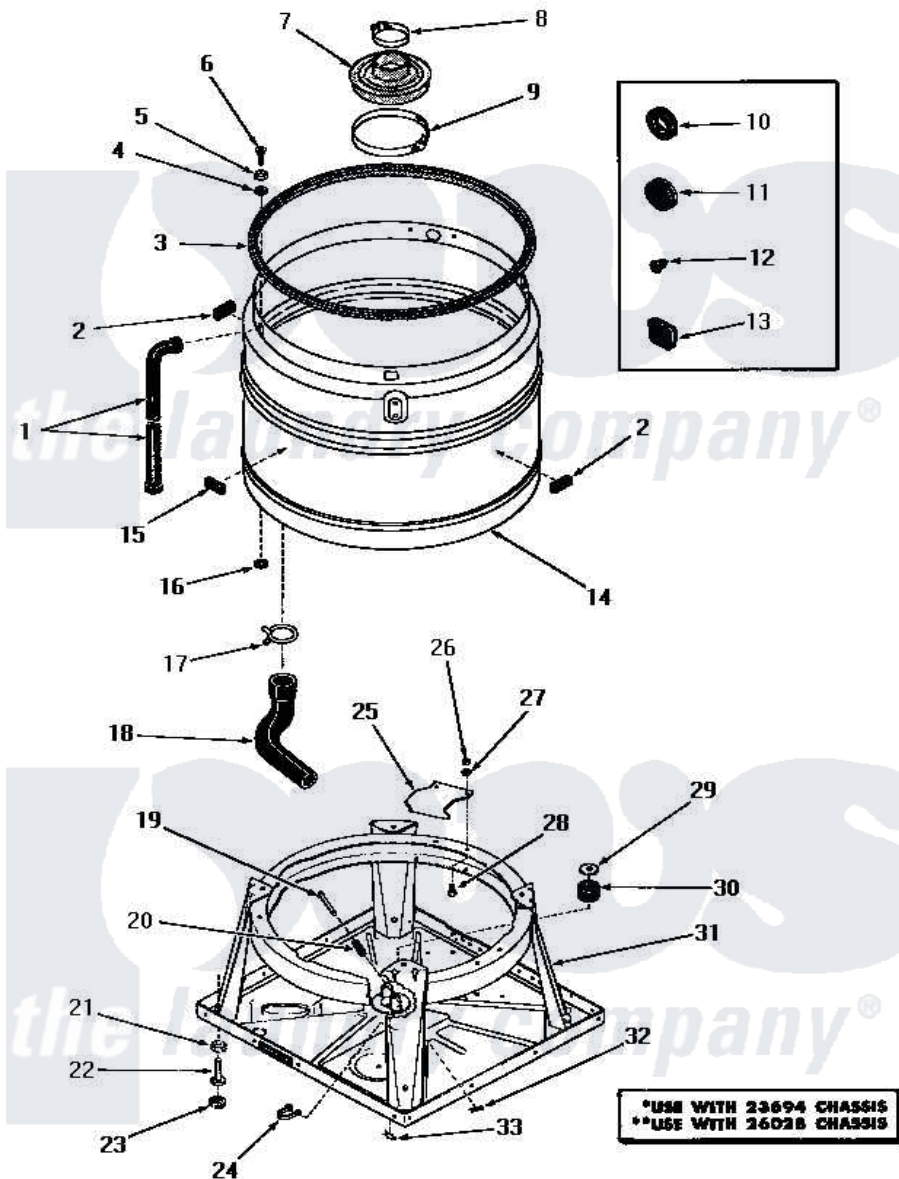


Amana DA3781 05 - BOOT, CHASSIS AND DRAIN TUB



Amana Residential Amana DA3781 Washer Parts Parts Diagram 05 - BOOT, CHASSIS AND DRAIN TUB
 Click on the part number to view part

| Item | Original Part Number | Replaced By | Status | Part Description |
|------|-----------------------|-------------------------|---------------|------------------------|
| 1 | 22818 | | Not Available | HOSE |
| 2 | 23258 | | | Pad, Bumper |
| 3 | 21233 | | Not Available | GASKET |
| 4 | 20112 | | | Grommet |
| 5 | 20111 | | | Washer |
| 6 | 20259 | | Not Available | SCREW |
| 7 | 20129 | | Not Available | BOOT |
| 8 | 20107 | | | Upper Clamp |
| 9 | 20108 | F200201 | | Clamp Hose #56 |
| 10 | 20118 | | Not Available | GROMMET,1982 INV |
| 11 | 20305 | 20-305 | | Sizzle Do Not Ship Ups |
| 12 | 21393 | 21-393 | | Piezo Sounder |
| 13 | 21651 | | | Grommet |
| 14 | 25983 | | | Drain Tub, Shur-Fil |
| 15 | 23257 | | Not Available | PAD,BUMPER |
| 16 | 20115 | | | Grommet |

| | | | | |
|----|-----------------------|--------------------------|---------------|----------------------------|
| 17 | 10180 | | Not Available | CLAMP |
| 18 | 25112 | | | Hose |
| 19 | Y22693 | | Not Available | HOLD-DOWN PIN |
| 20 | Y22690 | | Not Available | FERRULE |
| 21 | Y21899 | 40038101 | | Nut, Leg |
| 22 | 20409 | 22003428 | | Leg, Adjustable |
| 23 | 21749 | 40016001 | | Foot, Rubber |
| 24 | 22837 | | Not Available | STRAP,WIRE |
| 25 | 21905 | | | Plate, Snubber |
| 26 | 20275 | 27001225 | | Nut, Jam Mid Lock 1/4-20 |
| 27 | 03189 | | | LoCkwasher, 1/4 Std-C P |
| 28 | 02422 | | | Screw, 1/4-20 X 1/2 HeX |
| 29 | 20162 | | Not Available | SPACER |
| 30 | 20195 | | Not Available | GROMMET |
| 31 | 26028 | | | Assembly, Chassis xReplace |
| 32 | Y22689 | | Not Available | PIN CLIP |
| 33 | 26012 | 2-6012 | | Blower Wheel |

