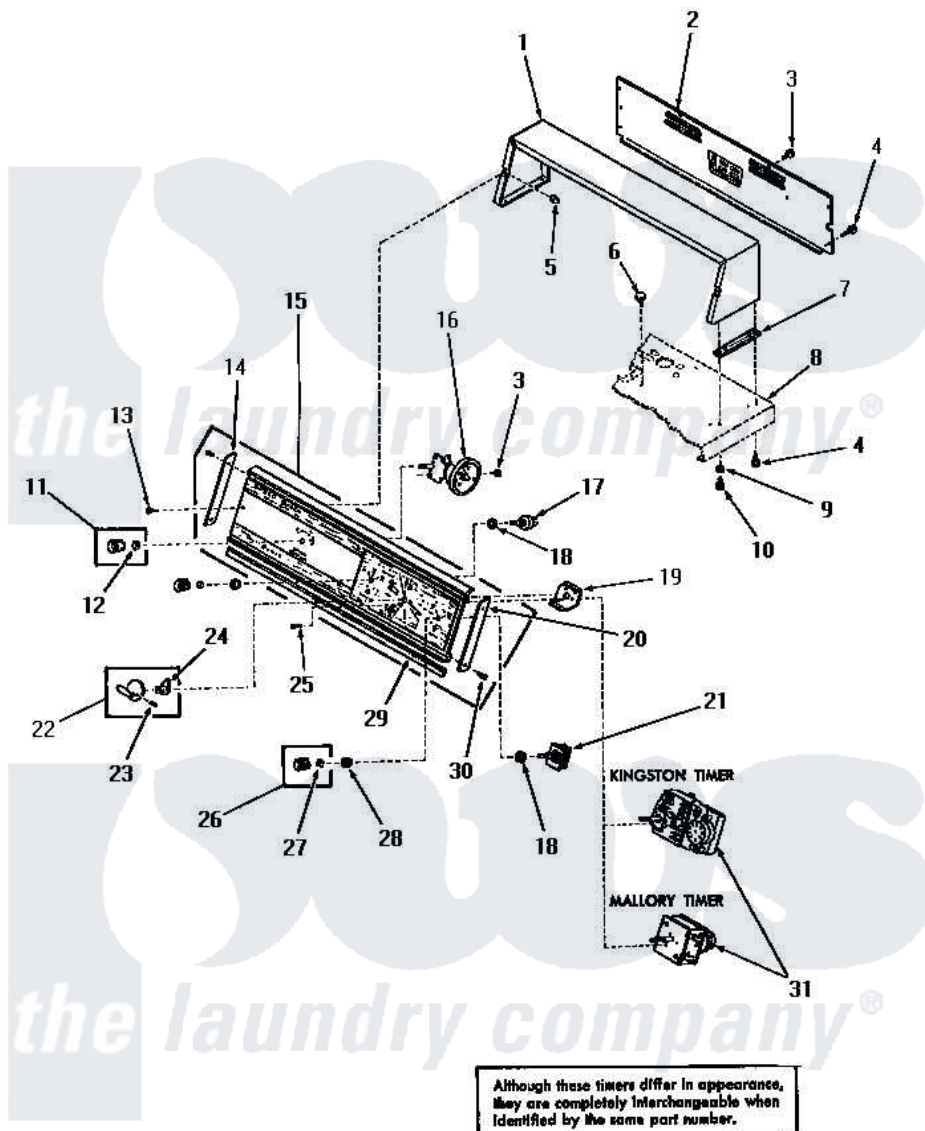


# Amana DA3821 10 - CONTROL PANEL, CONTROL HOOD & CONTROLS



## CONTROL PANEL, CONTROL HOOD AND CONTROLS

Amana Residential Amana DA3821 Washer Parts Parts Diagram 10 - CONTROL PANEL, CONTROL HOOD & CONTROLS

[Click on the part number to view part](#)

| Item | Original Part Number  | Replaced By             | Status        | Part Description              |
|------|-----------------------|-------------------------|---------------|-------------------------------|
| 1    | 22881H                |                         | Not Available | CONTROL HOOD, HARVEST GOLD    |
| "    | 22881A                |                         | Not Available | CONTROL HOOD, AVOCADO         |
| "    | 22881W                |                         | Not Available | CONTROL HOOD, WHITE           |
| 2    | 22890GR               |                         | Not Available | CONTROL HOOD REAR COVER, GRAY |
| 3    | 23222                 | <a href="#">3177991</a> |               | Screw                         |
| 4    | 25724                 |                         | Not Available | HEX HEAD SCREW                |
| 5    | <a href="#">54038</a> |                         |               | NUT, Speed U-Type             |
| 6    | 21393                 | <a href="#">21-393</a>  |               | Piezo Sounder                 |
| 7    | 23028                 |                         | Not Available | GASKET,CONTROL BOX END        |
| 8    | Y00000000             |                         | Not Available | SEE NOTE CABINET TOP          |
| 9    | <a href="#">20493</a> |                         |               | Washer, 11/64 ID x 3/8 OD     |
| 10   | 52150                 | <a href="#">489464</a>  |               | Screw                         |
| 11   | 22245                 |                         | Not Available | xREPLACE                      |
| 12   | 22244                 |                         | Not Available | CLIP,C xREPLACE               |

|    |                       |                        |                         |
|----|-----------------------|------------------------|-------------------------|
| 13 | 25232                 | Not Available          | SCREW,8AB-18X7/8 OVAL   |
| 14 | 25072                 | Not Available          | END CAP, LEFT           |
| 15 | 26661                 | Not Available          | CONTROL PANEL           |
| 16 | 26051                 | Not Available          | SWITCH,PRESSURE         |
| 17 | 21300                 | Not Available          | SWITCH,TEMPERATURE      |
| 18 | <a href="#">91176</a> |                        | Lockwasher, 3/8 Intshkp |
| 19 | 25966                 | Not Available          | SPACER,TIMER            |
| 20 | 25073                 | Not Available          | END CAP, RIGHT          |
| 21 | <a href="#">21302</a> |                        | Switch, Motor-2SP       |
| 22 | 24858                 | Not Available          | ASSY,KNOB-TIMER         |
| 23 | 25285                 | Not Available          | SETSCREW                |
| 24 | 24857                 | Not Available          | INDICATOR               |
| 25 | 20272                 | Not Available          | PHILLIPS HEAD SCREW     |
| 26 | 22245                 | Not Available          | xREPLACE                |
| 27 | 22244                 | Not Available          | CLIP,C xREPLACE         |
| 28 | <a href="#">24205</a> |                        | Nut, Knurled 3/8-24     |
| 29 | 25071                 | Not Available          | GASKET                  |
| 30 | 52864                 | <a href="#">500226</a> | Screw, 8b-16 x 5/8 Tap  |
| 31 | 24756                 | Not Available          | TIMER                   |

