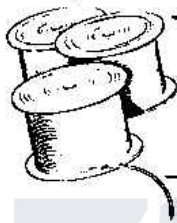


# Amana DA6251 18 - POWER CORD, WIRE AND TERMINALS

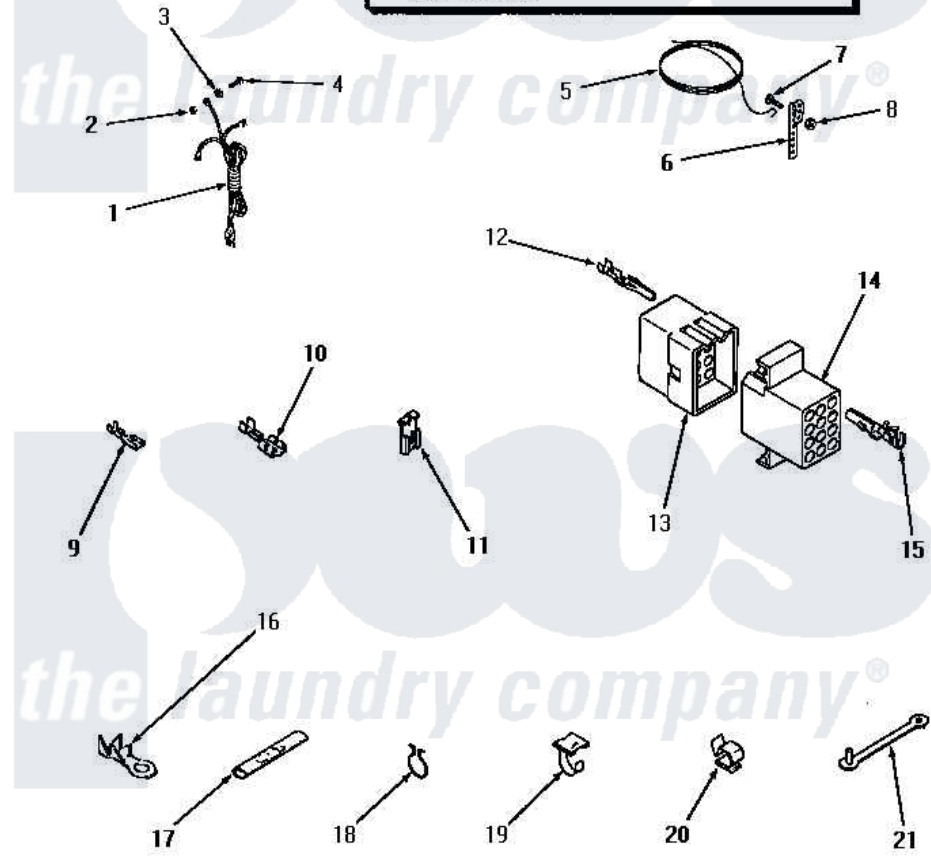


**20660 18 GAUGE WIRE PER FOOT (SPECIFY COLOR)  
ORDER BY THE FOOT. ALWAYS SPECIFY COLOR CODE REQUIRED.  
SEE WIRING DIAGRAM FOR CORRECT COLOR CODE.**

### WIRE HARNESSES

**DUE TO THE MULTIPLE CHANGES WITHIN THE WIRE HARNESSSES, THEY HAVE BEEN REMOVED FROM THIS MANUAL.**

**WHEN A WIRE HARNESS IS REQUIRED, IT IS IMPORTANT THAT THE CORRECT MODEL AND SERIAL NUMBERS BE SUBMITTED WITH THE ORDER. WE WILL THEN BE ABLE TO SUPPLY THE CORRECT WIRE HARNESS.**



Amana [Residential Amana DA6251 Washer Parts](#) Parts Diagram 18 - POWER CORD, WIRE AND TERMINALS  
Click on the part number to view part

Item	Original Part Number	Replaced By	Status	Part Description
1	22660		Not Available	POWER CORD AND PLUG
2	03673		Not Available	NUT
3	<a href="#">03815</a>			Lockwasher, No.10 Ext Shk
4	<a href="#">20267</a>			Screw, 10-24 X 3/8 Round
5	Y21429		Not Available	GROUND WIRE
6	21430		Not Available	STRAP,GROUND
7	21431		Not Available	ROUND HEAD SCREW
8	Y20276		Not Available	NUT
9	<a href="#">00112</a>			Terminal, Spade-3/16 Fe
10	Y00119		Not Available	SPADE TERMINAL(18 GAUGE) (1/4 INCH-(1) 18 GAUGE WIRE)
11	<a href="#">Y00120</a>			Terminal, Flag-1/4 Fema
12	<a href="#">Y00116</a>			Terminal, Pin-Male
13	<a href="#">23037</a>			Plug, 15 Circuit
"	23035		Not Available	PLUG,12 CIRCUIT
"	<a href="#">23033</a>			Plug, 9 Circuit

"	<a href="#">23041</a>		Plug, 6 Circuit
"	<a href="#">23040</a>		Plug-3 Circuit
14	<a href="#">23036</a>		Receptacle, 12 Circuit
"	23039	<a href="#">697780</a>	Receptacle,
"	Y23034	<a href="#">26163</a>	Receptacle, 9 Circuit
"	23042	Not Available	RECEPTACLE
"	23038	Not Available	RECEPTACLE, 15 CIRCUIT
15	Y00117	<a href="#">5011-XX</a>	093 Female Socket
16	<a href="#">00110</a>		No.10 18 Gauge Wire
17	21091	Not Available	CONNECTOR TWO 1/4 INCH MALE
18	<a href="#">51291</a>		Clip, Wire
19	21793	Not Available	CABLE CLIP
20	<a href="#">21036</a>		Clip, Cable
21	22837	Not Available	STRAP,WIRE
NI	20680	Not Available	18 GAUGE WIRE

