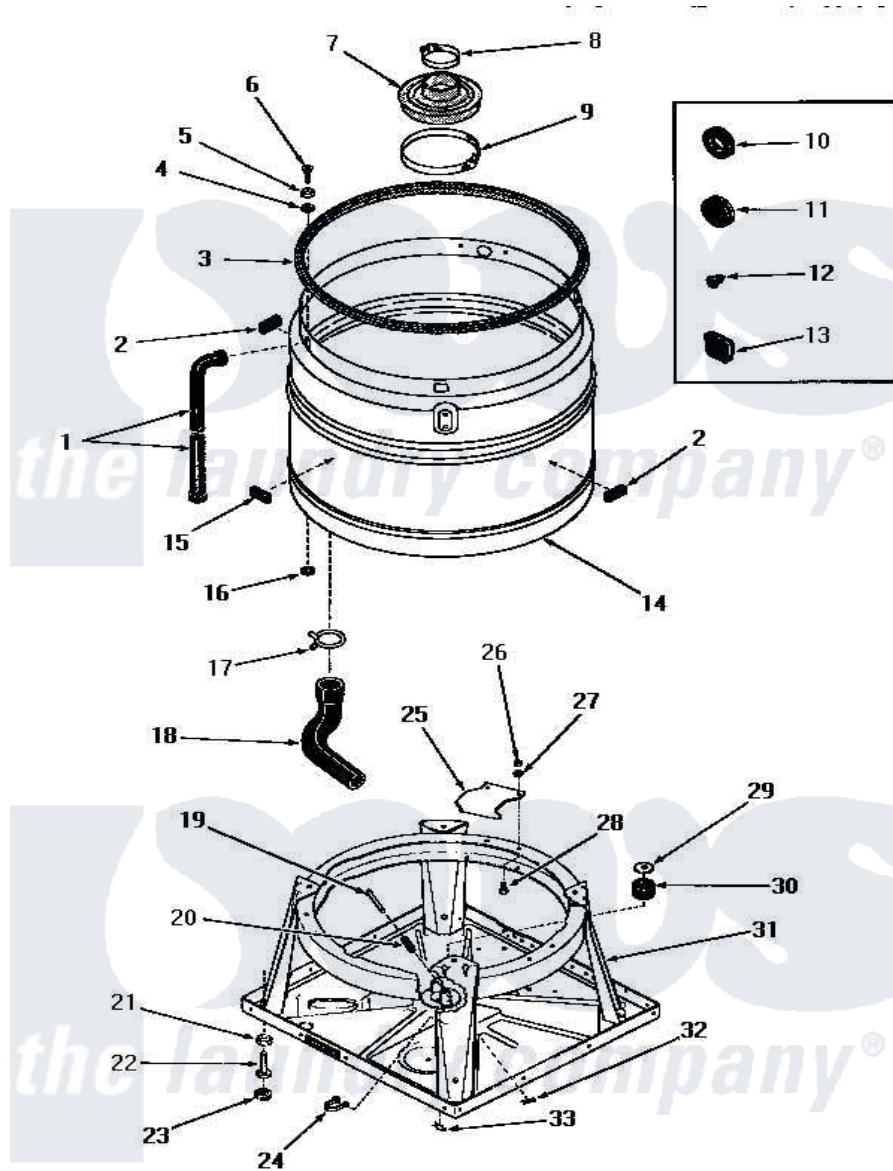


# Amana DA9043 11 - BOOT, CHASSIS & DRAIN TUB



**BOOT, CHASSIS AND DRAIN TUB**

Amana [Residential Amana DA9043 Washer Parts](#) Parts Diagram 11 - BOOT, CHASSIS & DRAIN TUB  
 Click on the part number to view part

| Item | Original Part Number  | Replaced By             | Status        | Part Description       |
|------|-----------------------|-------------------------|---------------|------------------------|
| 1    | 22818                 |                         | Not Available | HOSE                   |
| 2    | <a href="#">23258</a> |                         |               | Pad, Bumper            |
| 3    | 21233                 |                         | Not Available | GASKET                 |
| 4    | <a href="#">20112</a> |                         |               | Grommet                |
| 5    | <a href="#">20111</a> |                         |               | Washer                 |
| 6    | 20259                 |                         | Not Available | SCREW                  |
| 7    | 20129                 |                         | Not Available | BOOT                   |
| 8    | <a href="#">20107</a> |                         |               | Upper Clamp            |
| 9    | 20108                 | <a href="#">F200201</a> |               | Clamp Hose #56         |
| 10   | 20118                 |                         | Not Available | GROMMET,1982 INV       |
| 11   | 20305                 | <a href="#">20-305</a>  |               | Sizzle Do Not Ship Ups |
| 12   | 21393                 | <a href="#">21-393</a>  |               | Piezo Sounder          |
| 13   | <a href="#">21651</a> |                         |               | Grommet                |
| 14   | <a href="#">25983</a> |                         |               | Drain Tub, Shur-Fil    |
| 15   | 23257                 |                         | Not Available | PAD,BUMPER             |
| 16   | <a href="#">20115</a> |                         |               | Grommet                |

|    |                       |                          |               |                            |
|----|-----------------------|--------------------------|---------------|----------------------------|
| 17 | 10180                 |                          | Not Available | CLAMP                      |
| 18 | <a href="#">25112</a> |                          |               | Hose                       |
| 19 | Y22693                |                          | Not Available | HOLD-DOWN PIN              |
| 20 | Y22690                |                          | Not Available | FERRULE                    |
| 21 | Y21899                | <a href="#">40038101</a> |               | Nut, Leg                   |
| 22 | 20409                 | <a href="#">22003428</a> |               | Leg, Adjustable            |
| 23 | 21749                 | <a href="#">40016001</a> |               | Foot, Rubber               |
| 24 | 22837                 |                          | Not Available | STRAP,WIRE                 |
| 25 | <a href="#">21905</a> |                          |               | Plate, Snubber             |
| 26 | 20275                 | <a href="#">27001225</a> |               | Nut, Jam Mid Lock 1/4-20   |
| 27 | <a href="#">03189</a> |                          |               | LoCkwasher, 1/4 Std-C P    |
| 28 | <a href="#">02422</a> |                          |               | Screw, 1/4-20 X 1/2 HeX    |
| 29 | 20162                 |                          | Not Available | SPACER                     |
| 30 | 20195                 |                          | Not Available | GROMMET                    |
| 31 | <a href="#">26028</a> |                          |               | Assembly, Chassis xReplace |
| 32 | Y22689                |                          | Not Available | PIN CLIP                   |
| 33 | 26012                 | <a href="#">2-6012</a>   |               | Blower Wheel               |

