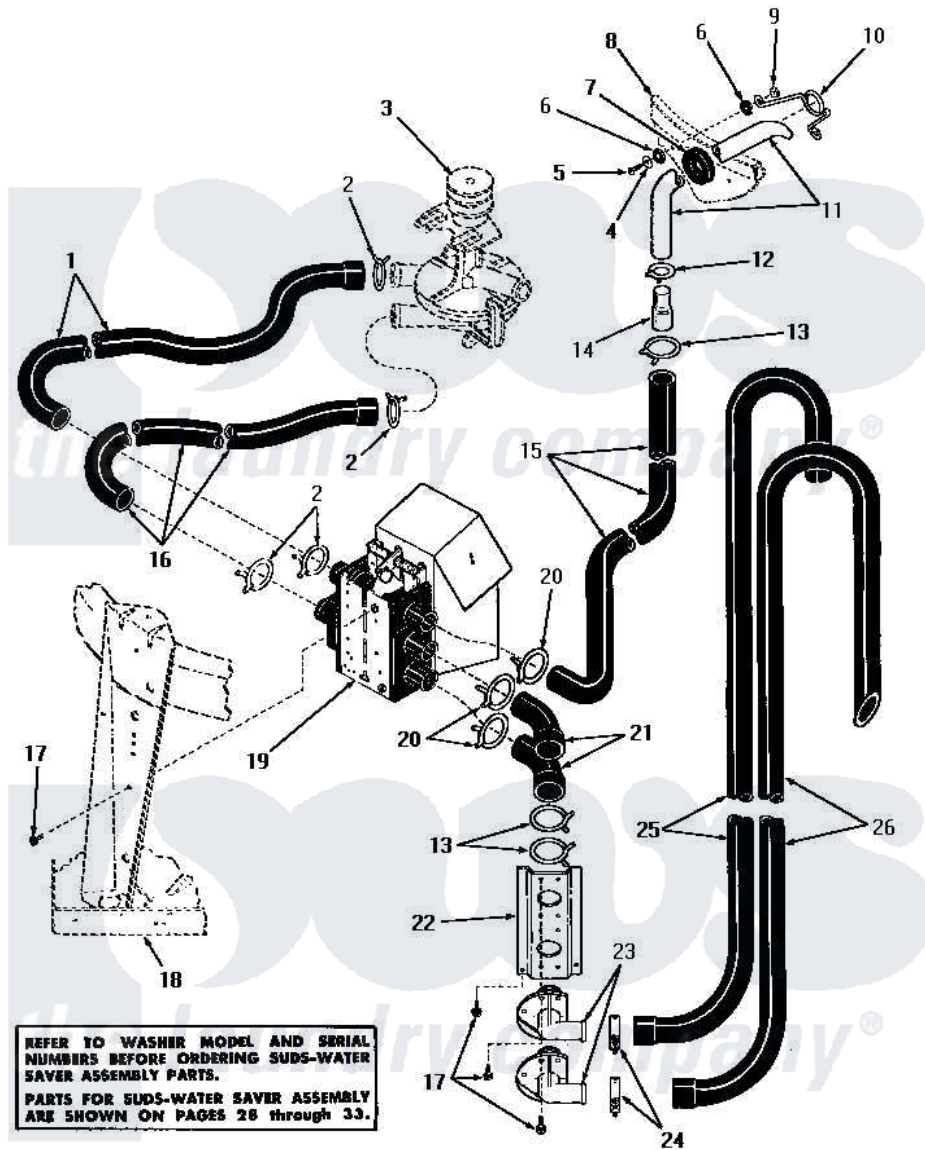


# Amana DA9043 26 - SUDS-WATER SAVER ASSY



**SUDS-WATER SAVER ASSEMBLY**  
(Through Serial No. 21E23497)

Amana [Residential Amana DA9043 Washer Parts](#) Parts Diagram 26 - SUDS-WATER SAVER ASSY  
Click on the part number to view part

| Item | Original Part Number  | Replaced By                | Status        | Part Description              |
|------|-----------------------|----------------------------|---------------|-------------------------------|
| 1    | 24576                 |                            | Not Available | WIRING DIAGRAM                |
| 2    | 20210                 |                            | Not Available | NO LONGER AVAILABLE           |
| 3    | Y00000000             |                            | Not Available | SEE NOTE PUMP ASSEMBLY        |
| 4    | 20492                 | <a href="#">M0270504</a>   |               | Washer                        |
| 5    | <a href="#">21081</a> |                            |               | Screw, 10-24 X 1/2 RD H       |
| 6    | 02928                 |                            | Not Available | WASHER                        |
| 7    | 20118                 |                            | Not Available | GROMMET,1982 INV              |
| 8    | Y00000000             |                            | Not Available | SEE NOTE DRAIN TUB            |
| 9    | 21080                 |                            | Not Available | NUT                           |
| 10   | 22355                 |                            | Not Available | RETURN HOSE SUPPORT           |
| 11   | 22356                 | <a href="#">WR71X10754</a> |               | Shelf Front All White 22356 I |
| 12   | Y22671                |                            | Not Available | HOSE CLAMP                    |
| 13   | Y03698                |                            | Not Available | CLAMP xREPLACE                |
| 14   | 21086                 |                            | Not Available | CODE J                        |
| 15   | 24581                 |                            | Not Available | VALVE OUTLET RETURN HOSE      |

|    |                       |                          |                                   |
|----|-----------------------|--------------------------|-----------------------------------|
| 16 | 24575                 | Not Available            | NO LONGER AVAILABLE               |
| 17 | 51784                 | Not Available            | SCREW,10B-16 X 1/2 HEX            |
| 18 | Y00000000             | Not Available            | SEE NOTE CHASSIS                  |
| 19 | 25053                 | Not Available            | SUDS-WATER SAVER<br>VALVE ASSEMBL |
| 20 | 21372                 | <a href="#">21-372</a>   | Sampling Tube                     |
| 21 | 24574                 | Not Available            | WIRING DIAGRAM                    |
| 22 | 23560                 | Not Available            | BRACKET                           |
| 23 | 23553                 | Not Available            | ELBOW,DRAIN HOSE-PLAST            |
| 24 | 20211                 | <a href="#">285655</a>   | Clamp, Hose                       |
| 25 | <a href="#">20240</a> |                          | Hose, M/F 29219                   |
| 26 | 22627                 | <a href="#">33-7806N</a> | Seal Assembly                     |

**Howes**  
*the laundry company*<sup>®</sup>

**Howes**  
*the laundry company*<sup>®</sup>

**Howes**  
*the laundry company*<sup>®</sup>