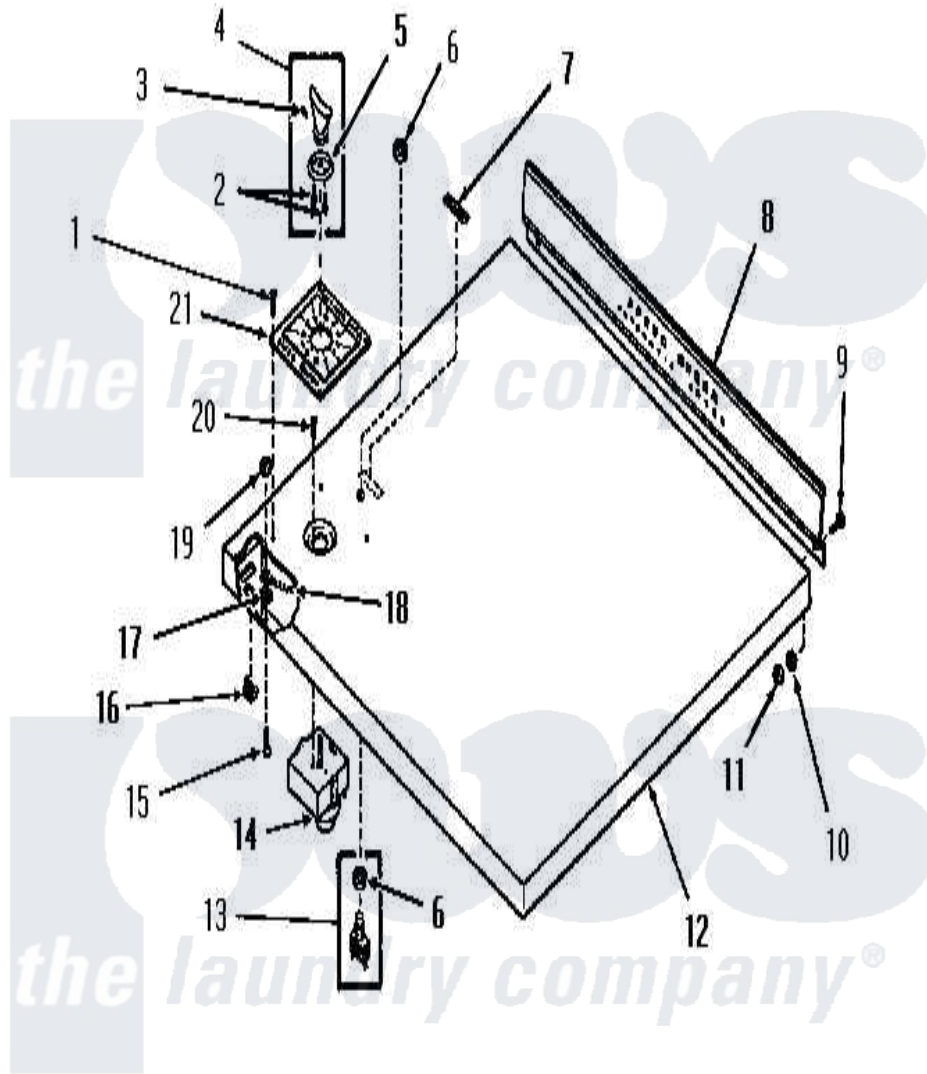


# Amana DE1021 05 - CABINET TOP AND CONTROL PANEL



Amana [Residential Amana DE1021 Washer Parts](#) Parts Diagram 05 - CABINET TOP AND CONTROL PANEL  
 Click on the part number to view part

Item	Original Part Number	Replaced By	Status	Part Description
"	NOTE:		Not Available	HOUSING AND PANEL ASSEMBLY WILL BE SUPPLIED WHENEVER 52963GR LINT SCREEN HOUSING OR 53058GR INNER DOOR PANEL IS ORDERED
1	<a href="#">51778</a>			Screw, 8b-18 X 1/2 RD H
2	Y02787		Not Available	SCREW, 6-32 X 1/4 RD HDxREPLACE
3	20310		Not Available	SCREW, 8-32 X 1/4 HEX S
4	22478		Not Available	TIMER KNOB ASSEMBLY
5	22450		Not Available	TIMER DIAL
6	<a href="#">52947</a>			Nut, Hex 15/32-32
7	53738		Not Available	STICKER, PUSH-TO-START
8	0054560		Not Available	USE D7755902
9	20747	<a href="#">500824</a>		Screw, 1/4-20 Unc Hex
10	<a href="#">02431</a>			Lockwasher, 1/4 Ext Shk
11	20275	<a href="#">27001225</a>		Nut, Jam Mid Lock 1/4-20

12	53735W	Not Available	CABINET TOP, WHITE
13	53768	<a href="#">55882P</a>	Assembly- Switch
14	52594	Not Available	TIMER
15	<a href="#">22649</a>		Screw, 8-32 X 13/32 FI
16	23007	Not Available	CAGED NUT
17	Y20278	Not Available	LOCKWASHER
18	Y00000000	Not Available	SEE NOTE GROUND WIRE, GREEN
19	51236	<a href="#">488130</a>	Nut
20	<a href="#">70212</a>		Screw, 8-32 X 5/32 RD H
21	52557	Not Available	CONTROL PLATE

**Howes**  
*the laundry company*<sup>®</sup>

**Howes**  
*the laundry company*<sup>®</sup>

**Howes**  
*the laundry company*<sup>®</sup>