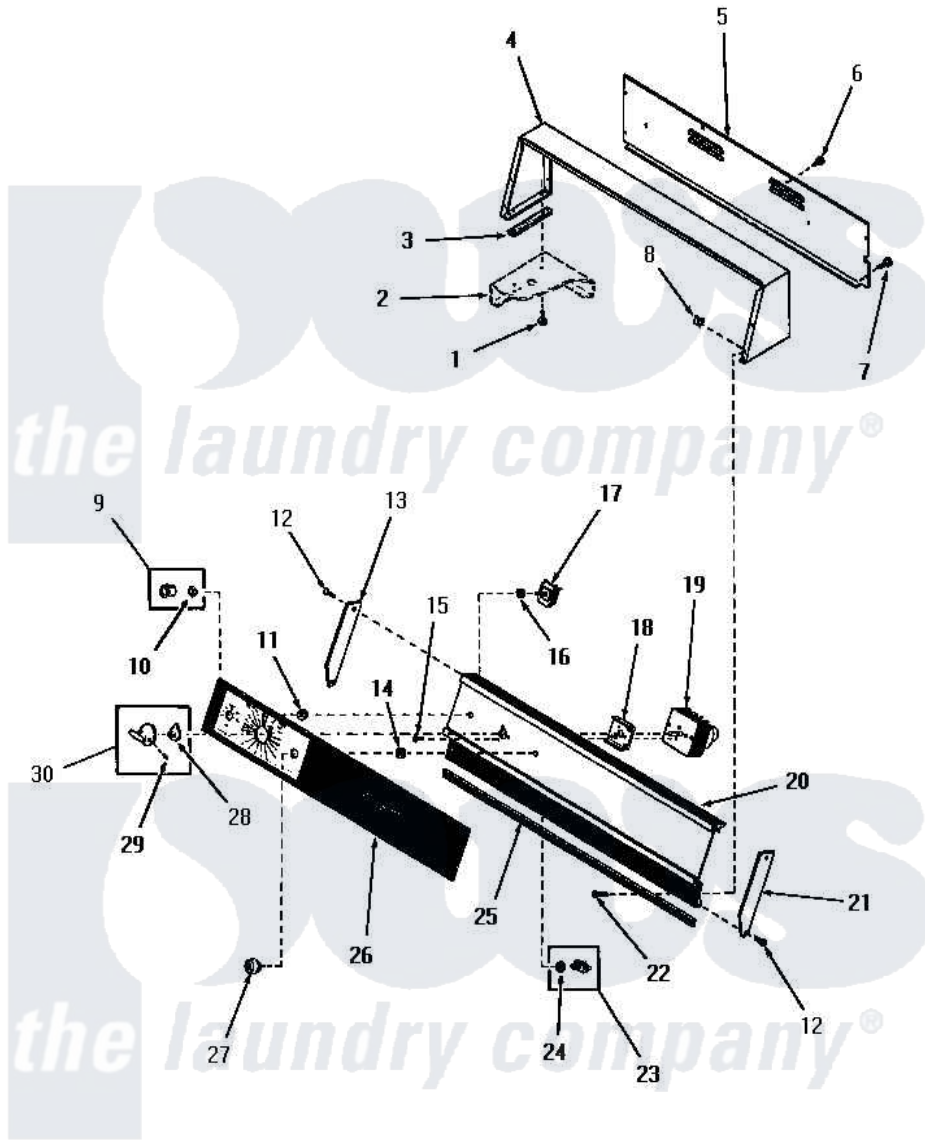


# Amana DE6260 07 - CONTROL PANEL, CONTROL HOOD & CONTROLS



## CONTROL PANEL, CONTROL HOOD AND CONTROLS

Amana [Residential Amana DE6260 Washer Parts](#) Parts Diagram 07 - CONTROL PANEL, CONTROL HOOD & CONTROLS

[Click on the part number to view part](#)

Item	Original Part Number	Replaced By	Status	Part Description
1	23962	<a href="#">W10116760</a>		Screw
2	Y00000000		Not Available	SEE NOTE CABINET TOP
3	23028		Not Available	GASKET,CONTROL BOX END
4	54526W		Not Available	CONTROL HOOD, WHITE
"	54526H		Not Available	CONTROL HOOD, HARVEST GOLD
"	54526A		Not Available	CONTROL HOOD, AVOCADO
5	54530GR		Not Available	CONTROL HOOD REAR COVER, GRAY
6	23222	<a href="#">3177991</a>		Screw
7	25724		Not Available	HEX HEAD SCREW
8	<a href="#">54038</a>			NUT, Speed U-Type
9	23128	<a href="#">22001655</a>		Switch, Water Temp.
10	22244		Not Available	CLIP,C xREPLACE
11	24391		Not Available	KNURLED NUT
12	52864	<a href="#">500226</a>		Screw, 8b-16 x 5/8 Tap

13	26339		Not Available	END CAP, LEFT
14	23406		Not Available	KNURLED NUT
15	20272		Not Available	PHILLIPS HEAD SCREW
16	<a href="#">91176</a>			Lockwasher, 3/8 Intshkp
17	52623	<a href="#">58032</a>		Switch
18	26345		Not Available	SPACER
19	52610		Not Available	TIMER
20	<a href="#">Y0055283</a>			Button, Door
21	26338		Not Available	END CAP, RIGHT
22	25232		Not Available	SCREW,8AB-18X7/8 OVAL
23	53563		Not Available	SWITCH,DOOR RELEASE
24	<a href="#">52947</a>			Nut, Hex 15/32-32
25	55287		Not Available	GASKET
26	0055282		Not Available	BLOCK, FUSE
27	23130		Not Available	SWITCH COLLAR
28	24857		Not Available	INDICATOR
29	25285		Not Available	SETSCREW
30	24858		Not Available	ASSY,KNOB-TIMER

