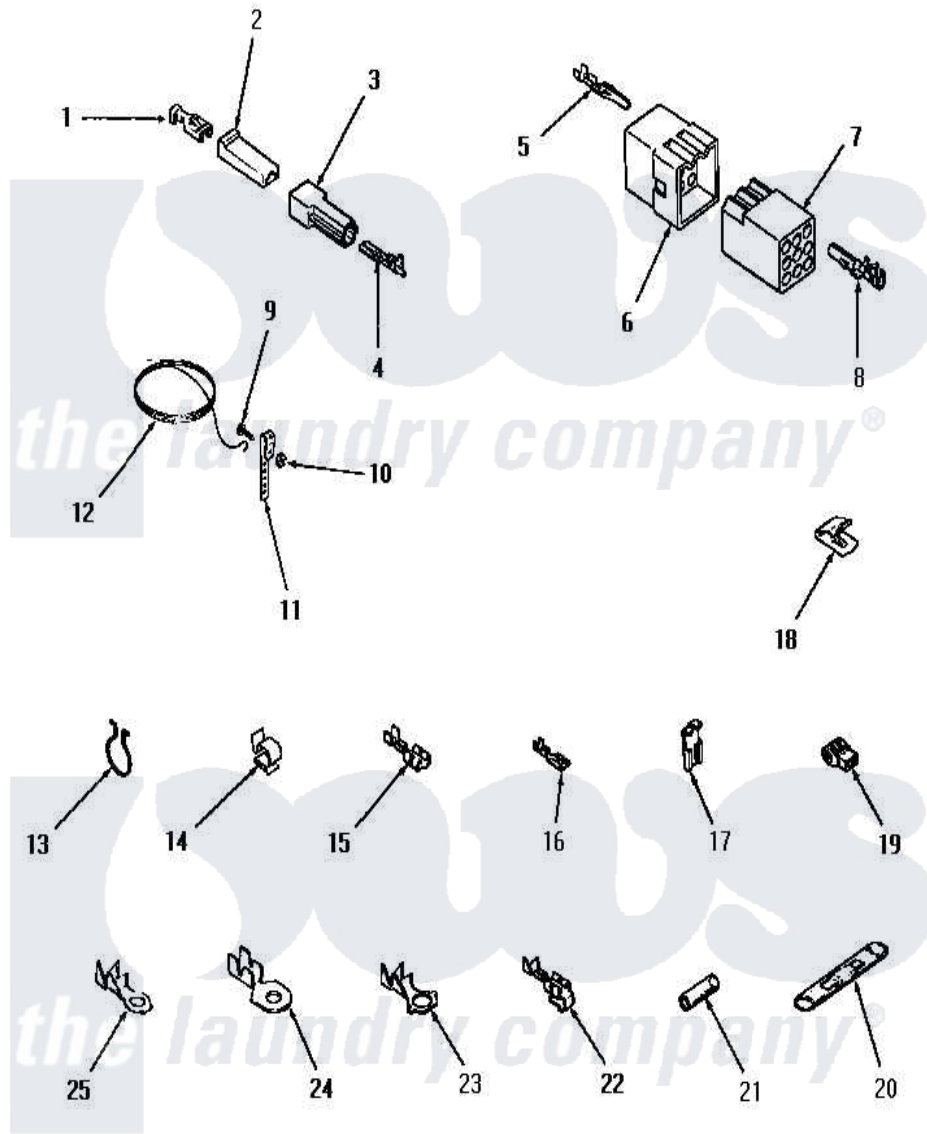


Amana DE6261 19 - WIRE & TERMINALS



WIRE AND TERMINALS

Amana [Residential Amana DE6261 Washer Parts](#) Parts Diagram 19 - WIRE & TERMINALS
 Click on the part number to view part

| Item | Original Part Number | Replaced By | Status | Part Description |
|------|------------------------|-------------|---------------|--|
| 1 | Y00115 | | | Lock In Spade Terminal (18 Gaug (1/4 Inch-(1) 18 Gauge Wire) |
| 2 | 90789 | | | Connector |
| 3 | 90788 | | Not Available | HOUSING,TAB |
| 4 | 00133 | | | Terminal, Tab-1/4 Male |
| 5 | Y00127 | | | Terminal, Pin-1/8 Male |
| 6 | 54522 | | | Plug, Nylon |
| 7 | 54523 | | Not Available | RECEPTACLE,12 CIRCUIT- |
| 8 | Y00128 | | | Terminal, Pin-1/8 Femal |
| 9 | 21431 | | Not Available | ROUND HEAD SCREW |
| 10 | Y20276 | | Not Available | NUT |
| 11 | 21430 | | Not Available | STRAP,GROUND |
| 12 | Y21429 | | Not Available | GROUND WIRE |
| 13 | 51291 | | | Clip, Wire |
| 14 | 21036 | | | Clip, Cable |
| | | | | SPADE TERMINAL(18 |

| | | | | |
|----|------------------------|------------------------|---------------|---|
| 15 | Y00119 | | Not Available | GAUGE) (1/4 INCH-(1) 18 GAUGE WIRE) |
| 16 | 00112 | | | Terminal, Spade-3/16 Fe |
| 17 | Y00120 | | | Terminal, Flag-1/4 Fema |
| 18 | 21312 | 51291 | | Clip, Wire |
| 19 | 70210 | | Not Available | INSULATOR,BLUE |
| 20 | 21091 | | Not Available | CONNECTOR TWO 1/4 INCH MALE |
| 21 | Y21365 | 503670 | | Sleeve Insulator |
| 22 | Y00114 | | | Spade Terminal |
| 23 | Y00113 | | Not Available | TERMINAL,RING-1/4 STUD |
| 24 | Y00111 | | | Ring Terminal No.10 No.10 18 Gauge Wires Or |
| 25 | 00110 | | | No.10 18 Gauge Wire |
| NI | 20680 | | Not Available | 18 GAUGE WIRE |
| " | 20679 | | Not Available | WIRE, 12 GAUGE |

