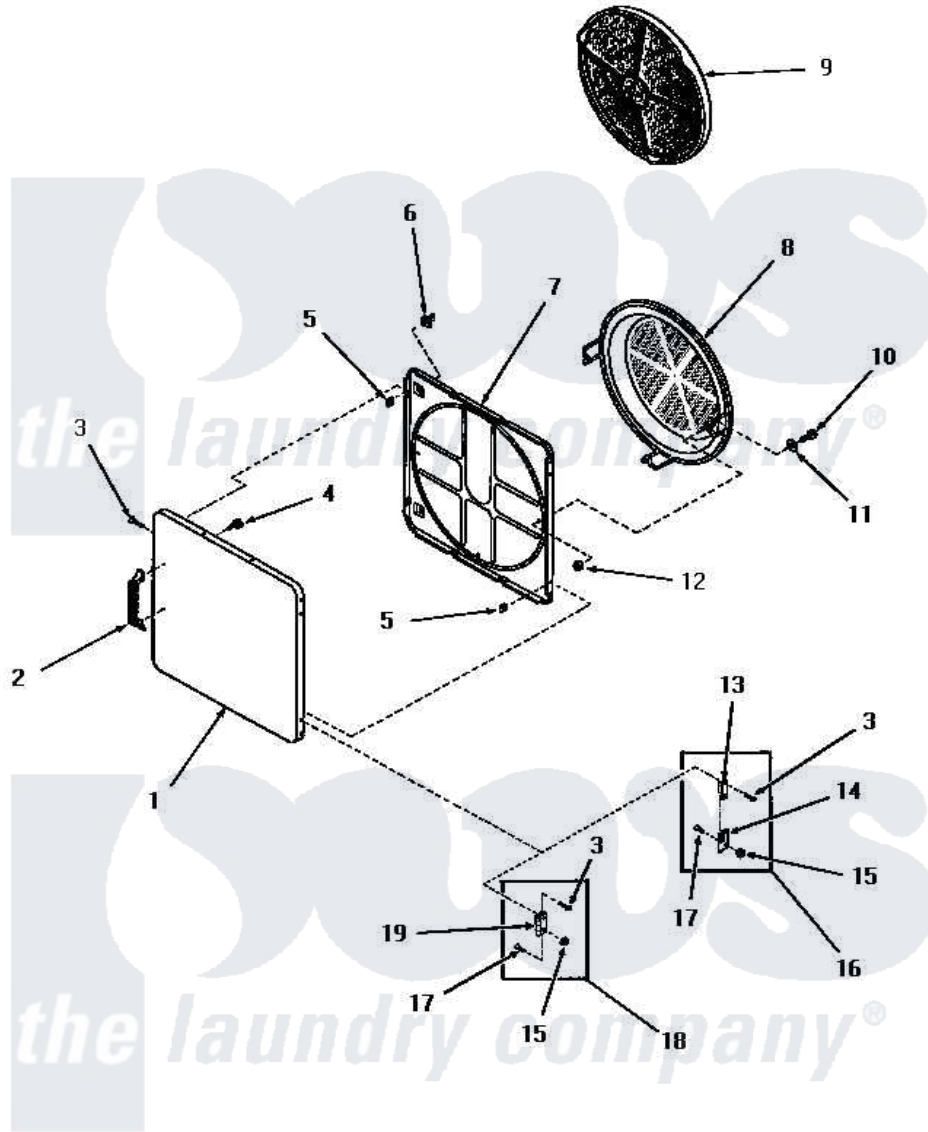


# Amana DG1030 17 - LOADING DOOR



## LOADING DOOR (Starting Serial Nos. 31V9369 and S66Y581)

Amana [Residential Amana DG1030 Washer Parts](#) Parts Diagram 17 - LOADING DOOR  
Click on the part number to view part

Item	Original Part Number	Replaced By	Status	Part Description
1	52489W		Not Available	OUTER DOOR PANEL, WHITE
"	52489H		Not Available	OUTER DOOR PANEL, HARVEST GOLD
"	52489C		Not Available	OUTER DOOR PANEL, COPPERTONE
"	52489A		Not Available	OUTER DOOR PANEL, AVOCADO
2	54068	<a href="#">61925</a>		Pull Door Commercial Black
3	52864	<a href="#">500226</a>		Screw, 8b-16 x 5/8 Tap
4	52150	<a href="#">489464</a>		Screw
5	52865		Not Available	SPEED NUT
6	54661	<a href="#">LA-1003</a>		Door Catch Kit
7	54665	<a href="#">54-665</a>		Bake Element
8	54731	<a href="#">54-731</a>		Bake Element
9	53002		Not Available	NO LONGER AVAILABLE
10	24688		Not Available	CAP SCREW
11	Q6275		Not Available	WASHER

12	52566	<a href="#">27001225</a>	Nut, Jam Mid Lock 1/4-20
13	Y0053944	<a href="#">D7772202</a>	Air Duct. Bottom
14	Y0053945	<a href="#">D7772101</a>	Shield-Light
15	51236	<a href="#">488130</a>	Nut
16	Y00000000	Not Available	SEE NOTE MODELS DG3350, DG3300, DG3250, FG3240 AND DG3240
17	<a href="#">22649</a>		Screw, 8-32 X 13/32 FI
18	Y00000000	Not Available	SEE NOTE ALL OTHER MODELS
19	<a href="#">70014</a>		Hinge

