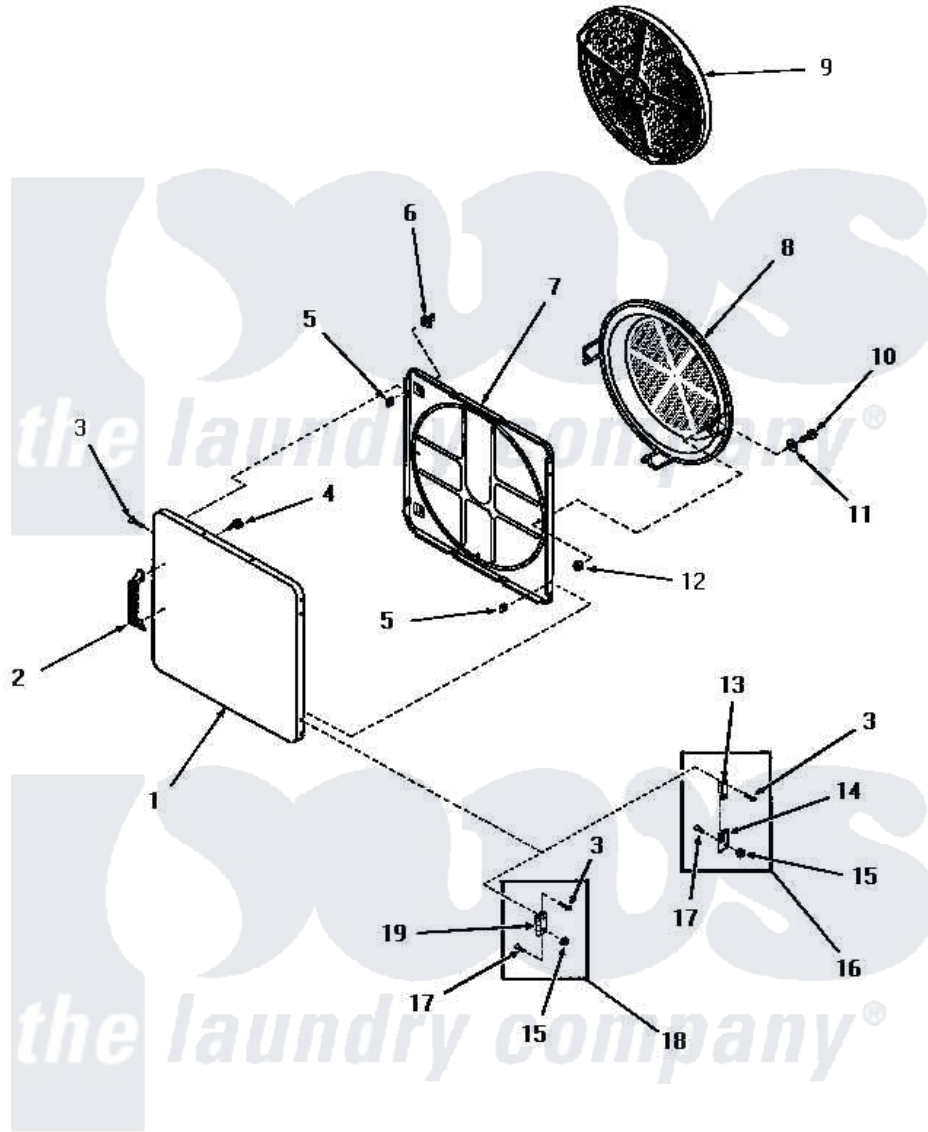


Amana DG1031 17 - LOADING DOOR



LOADING DOOR (Starting Serial Nos. 31V9369 and S66Y581)

Amana [Residential Amana DG1031 Washer Parts](#) Parts Diagram 17 - LOADING DOOR
Click on the part number to view part

Item	Original Part Number	Replaced By	Status	Part Description
1	52489W		Not Available	OUTER DOOR PANEL, WHITE
"	52489H		Not Available	OUTER DOOR PANEL, HARVEST GOLD
"	52489C		Not Available	OUTER DOOR PANEL, COPPERTONE
"	52489A		Not Available	OUTER DOOR PANEL, AVOCADO
2	54068	61925		Pull Door Commercial Black
3	52864	500226		Screw, 8b-16 x 5/8 Tap
4	52150	489464		Screw
5	52865		Not Available	SPEED NUT
6	54661	LA-1003		Door Catch Kit
7	54665	54-665		Bake Element
8	54731	54-731		Bake Element
9	53002		Not Available	NO LONGER AVAILABLE
10	24688		Not Available	CAP SCREW
11	Q6275		Not Available	WASHER

12	52566	27001225	Nut, Jam Mid Lock 1/4-20
13	Y0053944	D7772202	Air Duct. Bottom
14	Y0053945	D7772101	Shield-Light
15	51236	488130	Nut
16	Y00000000	Not Available	SEE NOTE MODELS DG3350, DG3300, DG3250, FG3240 AND DG3240
17	22649		Screw, 8-32 X 13/32 FI
18	Y00000000	Not Available	SEE NOTE ALL OTHER MODELS
19	70014		Hinge

